

THE STATE OF DELAWARE



DEPARTMENT OF TRANSPORTATION  
MAINTENANCE AND OPERATIONS  
CONSTRUCTION PLANS AND SPECIFICATIONS FOR


SUBDIVISION PAVING, NEW CASTLE COUNTY I, 2026

CONTRACT NUMBER - T202604901

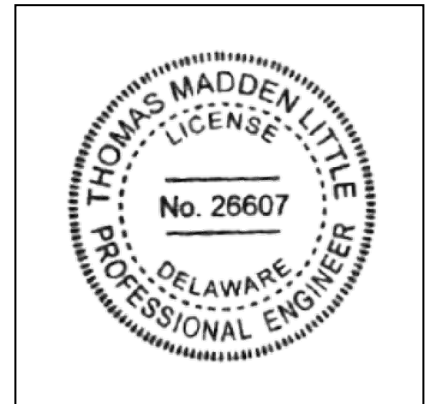
UNIFIER PROJECT ID – 2026-00045

FEDERAL AID NUMBER - NONE

COUNTY: NEW CASTLE

PLANS PREPARED BY:   
DESIGNER

 12/1/25  
DELDOT – CANAL DISTRICT MAINTENANCE ENGINEER      DATE  
MAINTENANCE AND OPERATIONS - (CAD)



THIS SEAL APPLIES TO ALL SHEETS  
BEARING THE "CAD" SECTION  
DESIGNATION

APPROVED FOR ADVERTISEMENT

Pamela Steinebach 12/4/25  
DIRECTOR OF MAINTENANCE AND OPERATIONS      DATE

---

DEPARTMENT OF TRANSPORTATION

---

CONTRACT NUMBER- T202604901

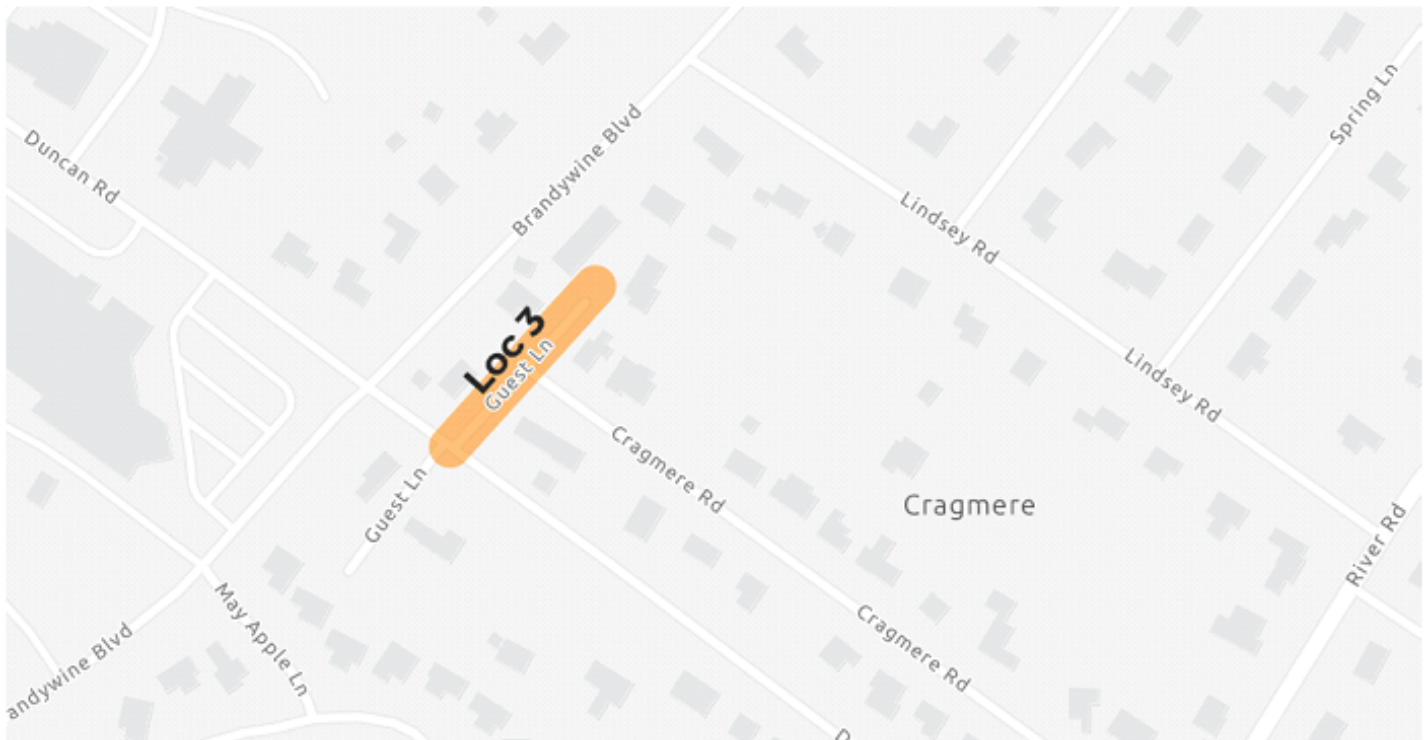
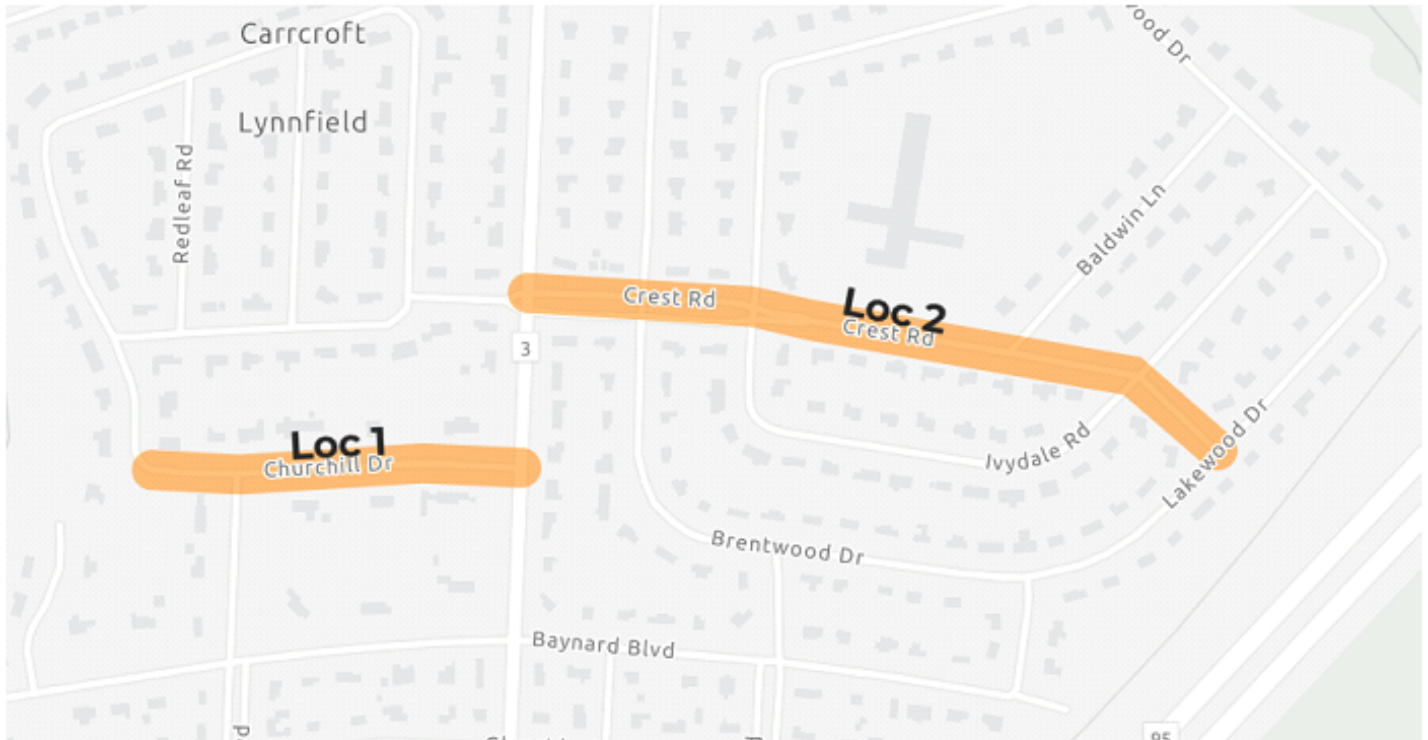
(CAD) PAGE 2 OF 57

---

Contract is for various locations throughout New Castle County.

---

LOCATION MAP



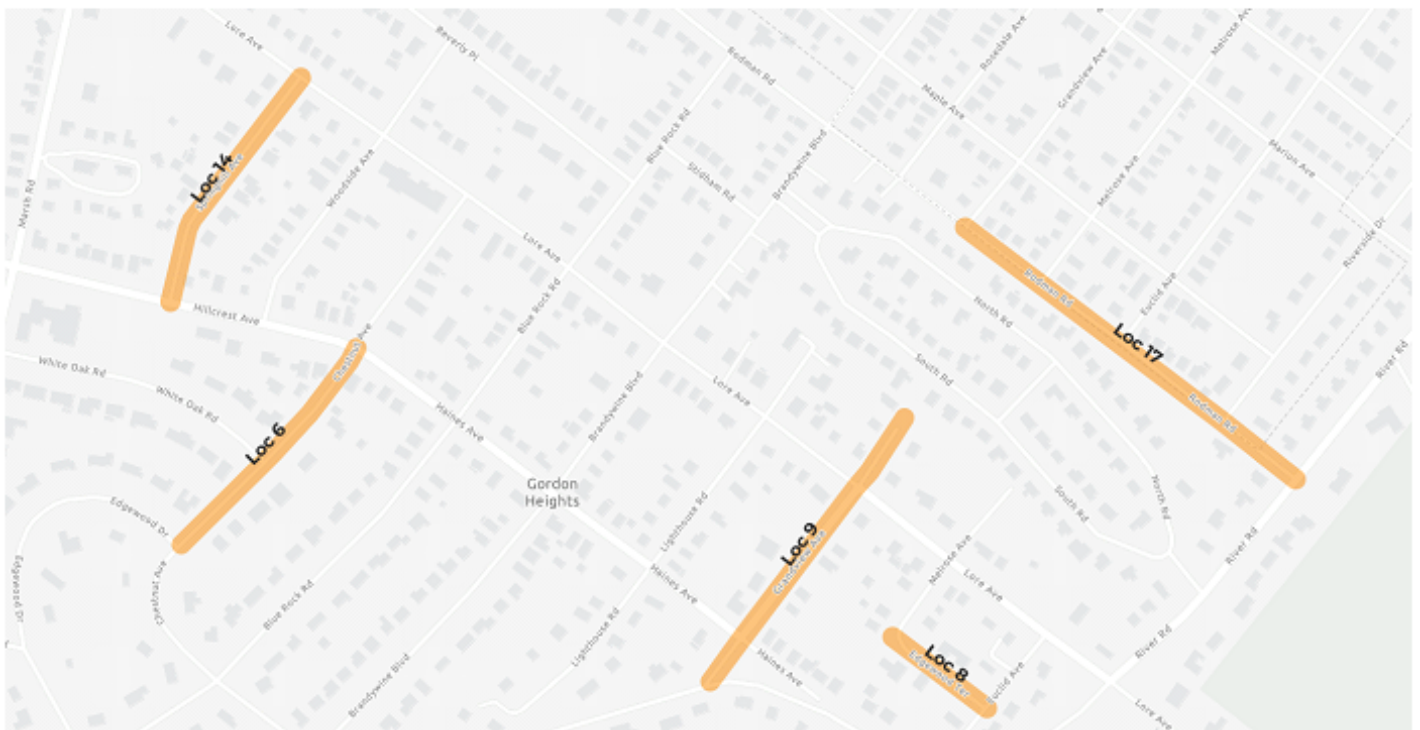
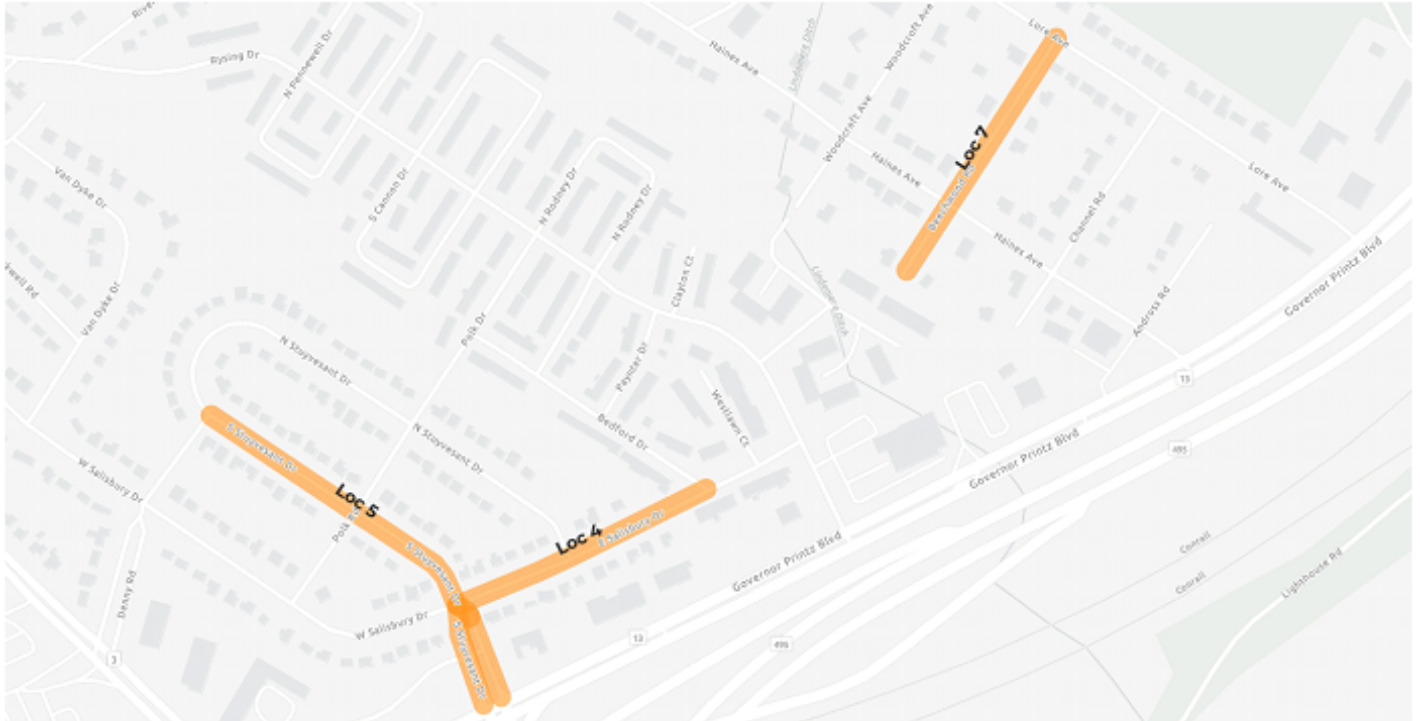
DEPARTMENT OF TRANSPORTATION

CONTRACT NUMBER- T202604901

(CAD) PAGE 3 OF 57

Contract is for various locations throughout New Castle County.

LOCATION MAP



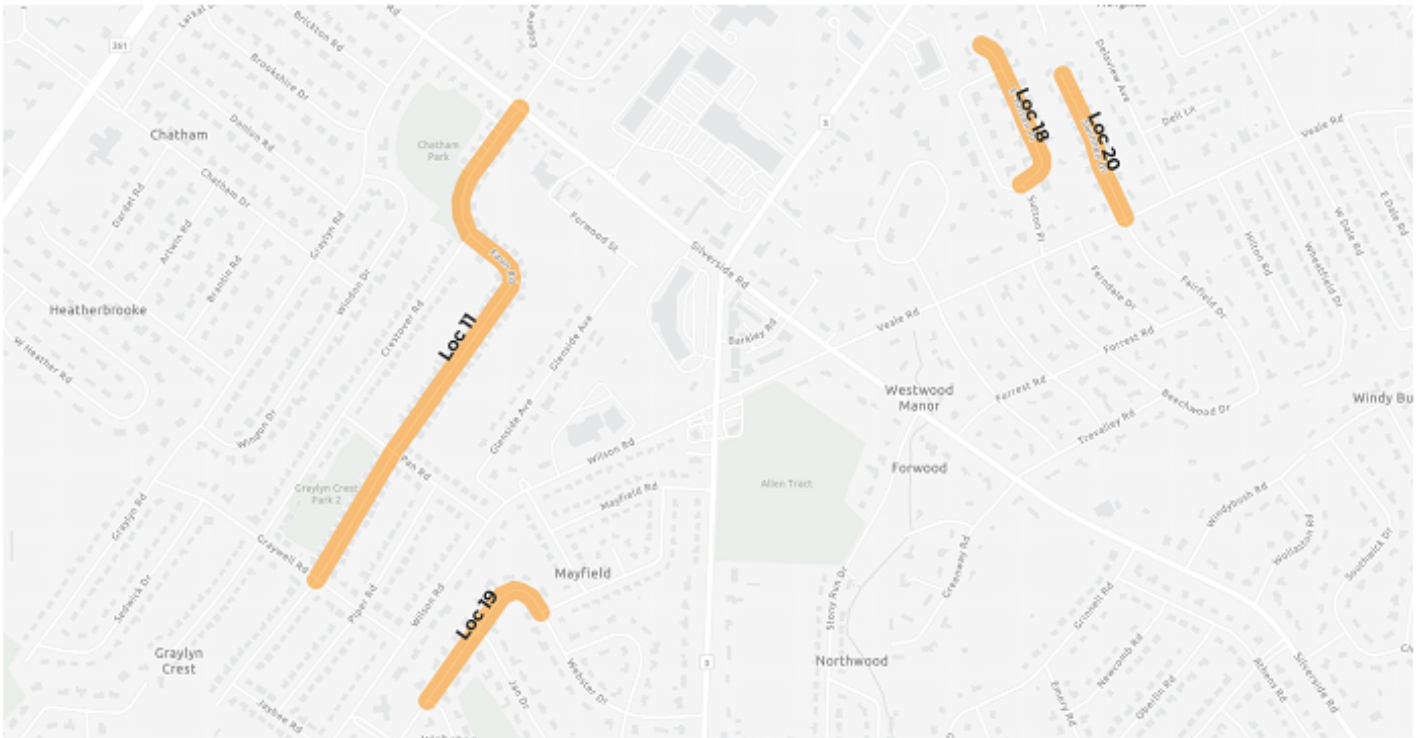
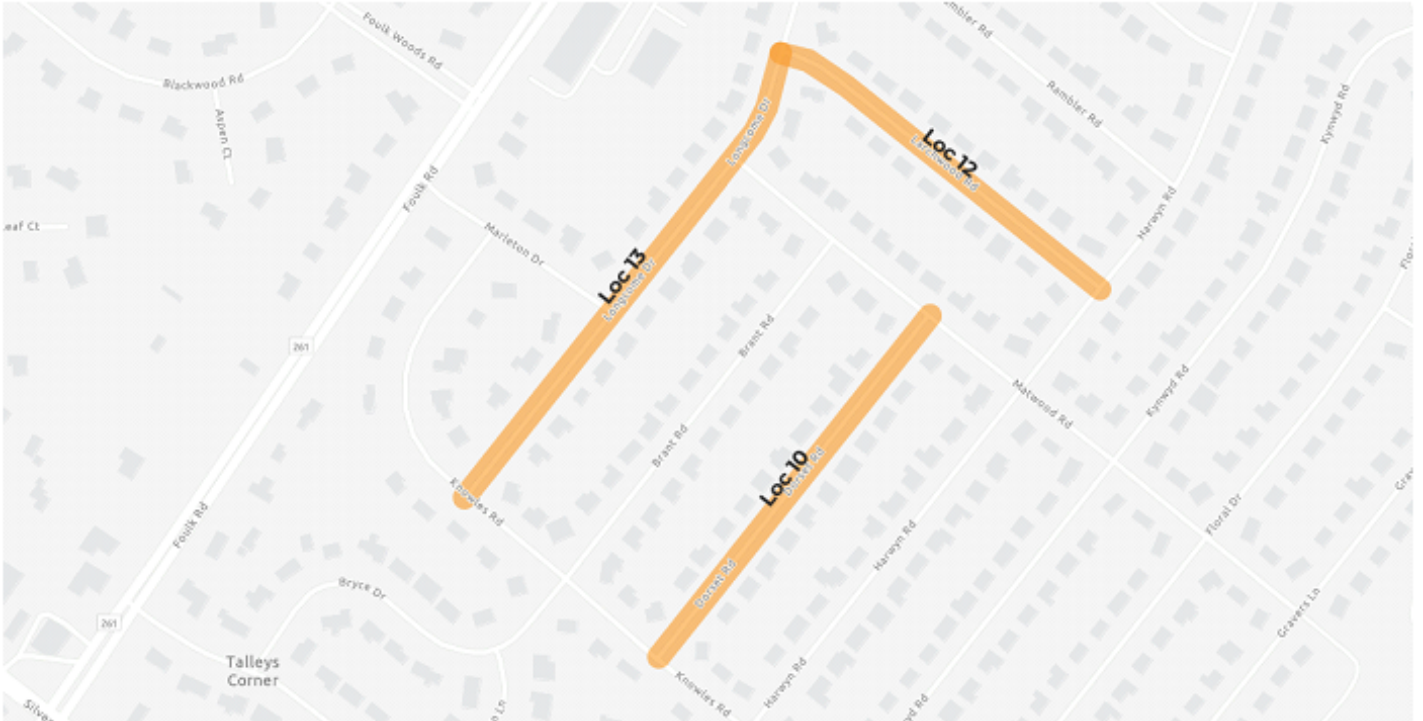
DEPARTMENT OF TRANSPORTATION

CONTRACT NUMBER- T202604901

(CAD) PAGE 4 OF 57

Contract is for various locations throughout New Castle County.

LOCATION MAP



---

DEPARTMENT OF TRANSPORTATION

---

CONTRACT NUMBER- T202604901

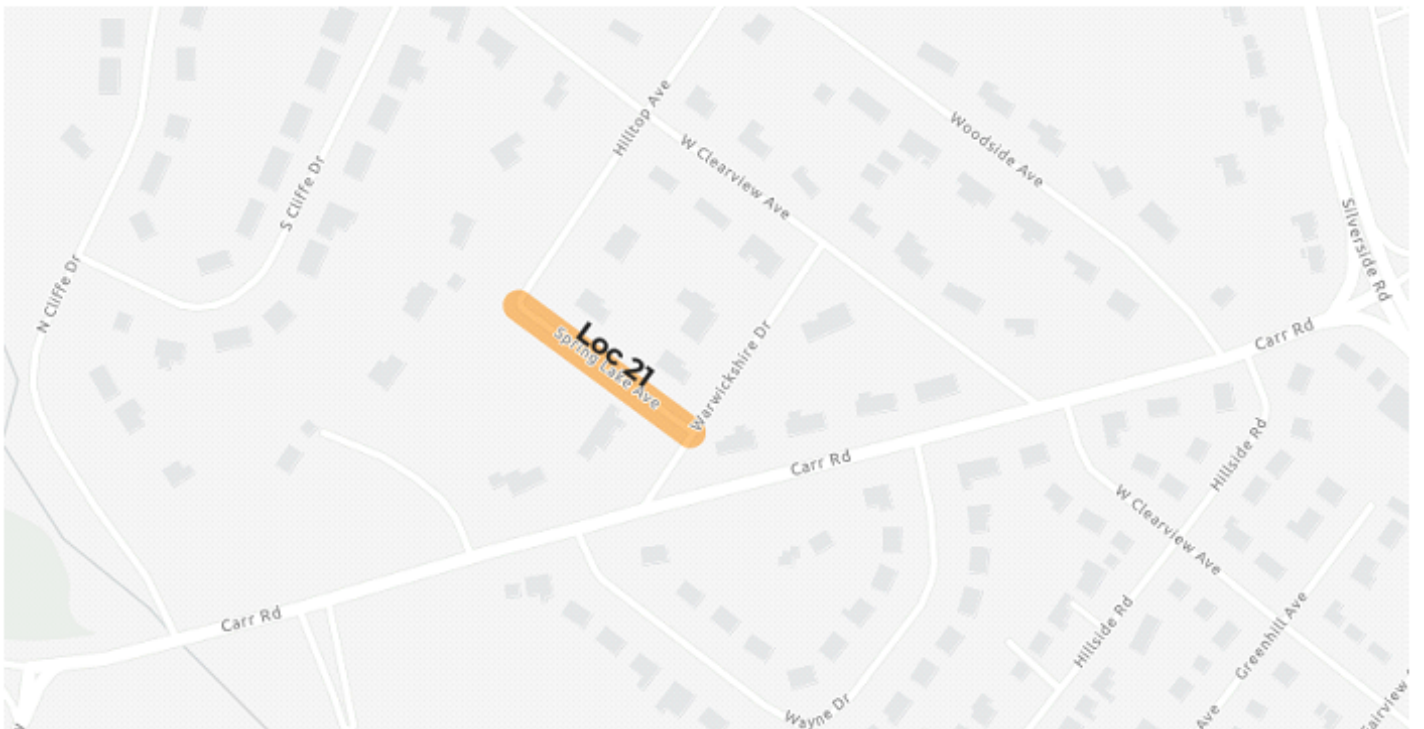
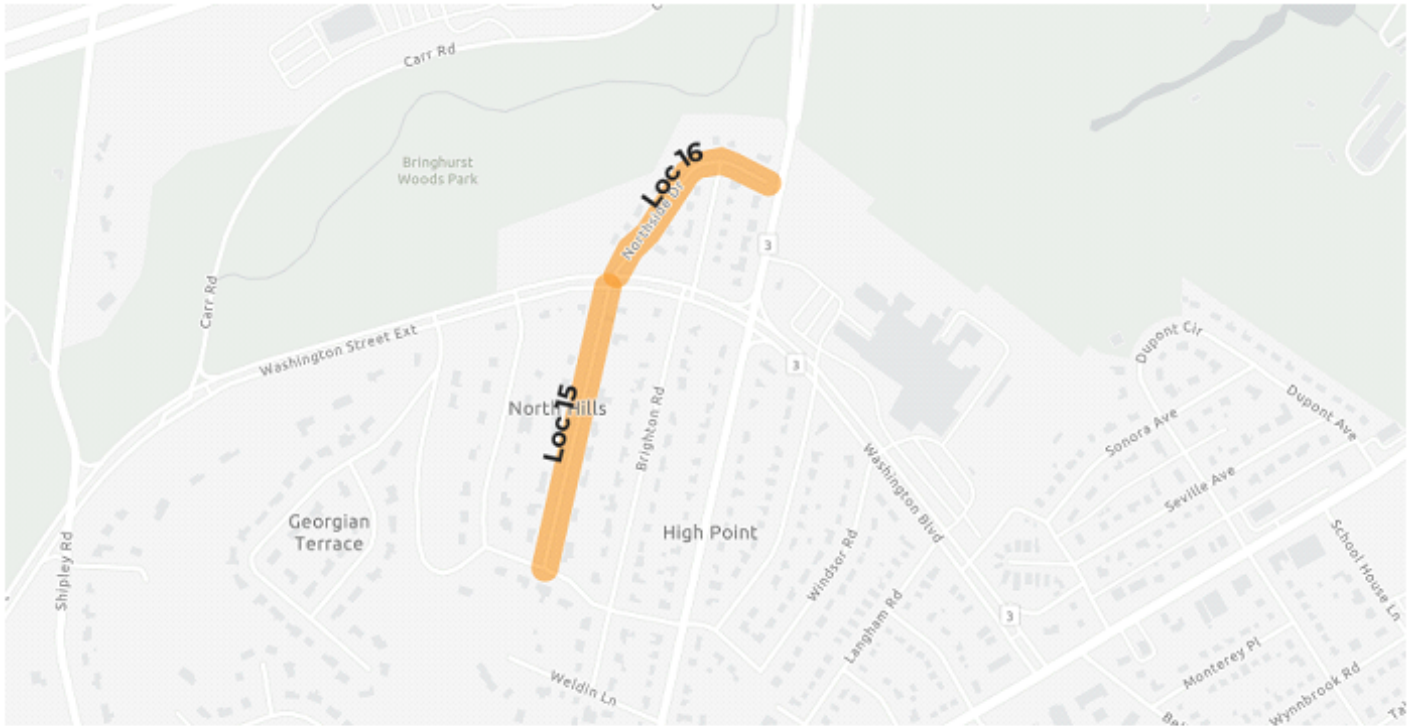
(CAD) PAGE 5 OF 57

---

Contract is for various locations throughout New Castle County.

---

LOCATION MAP



GENERAL CONTRACT PLAN NOTES

**SECTION 100**

1. THIS PROJECT IS TO BE CONSTRUCTED IN ACCORDANCE WITH THE DELAWARE DEPARTMENT OF TRANSPORTATION STANDARD SPECIFICATIONS FOR ROAD AND BRIDGE CONSTRUCTION DATED JANUARY 2025 AND THE DELAWARE DEPARTMENT OF TRANSPORTATION STANDARD CONSTRUCTION DETAILS DATED 2025, INCLUDING ALL REVISIONS UP TO THE DATE OF ADVERTISEMENT.

2. THE PURPOSE OF THIS CONTRACT IS TO MAKE GENERAL IMPROVEMENTS TO ROADS AND/OR STREETS WITHIN THE DISTRICT HEREIN SPECIFIED. DEPENDING ON FUND AVAILABILITY, THE DEPARTMENT RESERVES THE RIGHT TO ADD OR DELETE LOCATIONS AND/OR QUANTITIES FOR THIS CONTRACT. SUCH ADDITIONS OR DELETIONS SHALL NOT BE CAUSE FOR AN INCREASE OR DECREASE IN ANY CONTRACT UNIT BID PRICES. NO ITEM PRICES ARE TO BE RENEGOTIATED DUE TO EITHER AN INCREASE OR DECREASE IN QUANTITY USAGE RESULTING FROM SAID ADDITIONS OR DELETIONS.

3. THE CONTRACTOR SHALL PROVIDE WRITTEN NOTICE TO RESIDENTS AND BUSINESSES AT LEAST 48 HOURS, BUT NO MORE THAN 96 HOURS, PRIOR TO ALL PHASES OF CONTRACT WORK INCLUDING BUT NOT LIMITED TO: SAWCUTTING FOR P.C.C. OPERATIONS, P.C.C. REMOVAL AND REPLACEMENT, PAVEMENT MILLING, AND PAVING. THIS NOTICE SHALL BE GIVEN TO ALL RESIDENTS AND BUSINESSES WHOSE PROPERTY IS ADJACENT TO THE STREET ON WHICH WORK IS TO BE PERFORMED. FAILURE TO GIVE PROPER NOTICE WILL RESULT IN A SUSPENSION OF WORK REQUIRING NOTICE, UNTIL PROPER NOTICE IS PROVIDED. UPON COMPLETION OF DISTRIBUTING WRITTEN NOTICES, THE CONTRACTOR SHALL IMMEDIATELY NOTIFY THE ENGINEER.

4. LOCATION LISTINGS INDICATE GENERAL LIMITS OF CONSTRUCTION, MAJOR TYPES OF IMPROVEMENTS, AND ESTIMATED QUANTITIES. DURING THE BIDDING PERIOD, ANY QUESTIONS PERTAINING TO LOCATIONS SHALL BE DIRECTED TO THE CONTRACT ADMINISTRATOR. AFTER THE AWARD, SUCH QUESTIONS SHALL BE REFERRED TO THE APPROPRIATE DISTRICT ENGINEER OR HIS REPRESENTATIVE.

5. THIS CONTRACT WILL HAVE CLEAR "START BY" DATE AND TIME ALLOCATED FOR COMPLETION. FAILURE TO COMPLETE THE CONTRACT IN THE SPECIFIED TIME SHALL CONSTITUTE "FAILURE TO PURSUE THE WORK" AND SUBJECTS THE CONTRACTOR TO LIQUIDATED DAMAGES AS OUTLINED IN SUBSECTION 108.8 OF THE STANDARD SPECIFICATIONS.

6. THE CONTRACTOR SHALL SUBMIT THE REQUIRED COPIES OF A DETAILED PROGRESS SCHEDULE (PSC) AS OUTLINED IN STANDARD SPECIFICATION 108.4 PRIOR TO THE PRECONSTRUCTION MEETING. DETAILS SHALL INCLUDE A DESCRIPTION OF EACH WORK ACTIVITY, THE PLANNED DAYS OF WORK, MULTIPLE CREWS OR SHIFTS, AND SCHEDULED WORKING HOURS. DURING THE CONTRACT, THE CONTRACTOR SHALL SUBMIT TWO-WEEK (OR

---

**DEPARTMENT OF TRANSPORTATION**

---

**CONTRACT NUMBER- T202604901 CANAL  
SUBDIVISION PAVING, NEW CASTLE COUNTY I, 2026**

**(CAD) PAGE 7 OF 55**

---

**GENERAL CONTRACT PLAN NOTES**

AS REQUIRED) "LOOK AHEAD" SCHEDULES TO THE AREA ENGINEER/ MANAGER NO LATER THAN NOON OF EACH THURSDAY. FAILURE TO COMPLY WILL RESULT IN A SUSPENSION OF ALL CONTRACT WORK WITH TIME CHARGES CONTINUING TO BE ASSESSED.

**ADDITIONAL WORK:**

7. THE DEPARTMENT RESERVES THE RIGHT TO INCREASE OR DECREASE THE QUANTITIES OF THE ITEMS SPECIFIED IN THIS CONTRACT. SUCH ADDITIONS SHALL NOT BE CAUSE FOR AN INCREASE OR DECREASE IN ANY CONTRACT UNIT BID PRICES AND/OR LUMP SUM ITEMS IF THE INCREASE IN QUANTITIES DOES NOT REQUIRE REMOBILZATON.

8. THE DEPARTMENT RESERVES THE RIGHT TO ADD LOCATONS TO THIS CONTRACT. SPECIFIC WORK WILL BE ASSIGNED BY THE DEPARTMENT VIA WORK ORDERS AND THE DEPARTMENT WILL MAKE EVERY ATTEMPT TO MINIMIZE THE DISTANCE BETWEEN SUCCESSIVE LOCATIONS. THE CONTRACTOR MAY SUBMIT A REQUEST FOR ADDITIONAL MOT AND MOBILIZATION IN CONJUNCTION WITH ADDED LOCATIONS. THIS REQUEST WILL BE CONSIDERED ON THE BASIS OF EACH ADDITIONAL LOCATION. THE REQUEST FOR INITIAL EXPENSE/MOBILIZATION SHALL NOT EXCEED THE AMOUNT OF THE BID PRICE FOR 763000, DIVIDED BY THE NUMBER OF ORIGINAL CONTRACT LOCATIONS. THE REQUEST FOR MOT SHALL NOT EXCEED THE AMOUNT OF THE BID PRICE FOR 801500, DIVIDED BY THE NUMBER OF ORIGINAL CONTRACT LOCATIONS. FOR OPEN END CONTRACTS WITHOUT ORIGINAL LOCATIONS, BID ITEMS 763544-763552 SHALL BE FULL COMPENSATION FOR MOBILIZATION AND MOT.

EACH WORK ORDER ISSUED WILL HAVE CLEAR "START BY" DATE AND TIME ALLOCATED TO COMPLETE SAID WORK ORDER. ONCE TIME (CALENDAR DAYS) HAS BEEN ASSIGNED TO A WORK ORDER AND ISSUED, THE CONTRACTOR HAS 2 BUSINESS DAYS, NOT INCLUDING THE DAY OF ISSUANCE, TO DISPUTE THE TIME QUANTITY AND PROVIDE ADDITIONAL BACKUP DOCUMENTATION FOR WHY THE TIME QUANTITY IS NOT SUFFICIENT. A DETAILED BREAKDOWN OF LABOR/MATERIALS/EQUIPMENT ALONG WITH THE CONTRACTORS TIME ESTIMATE WILL BE REQUIRED; THIS INFORMATION MUST BE RECEIVED BY THE DEPARTMENT BY THE END OF THE 2<sup>ND</sup> BUSINESS DAY OR THE DEPARMENT WILL CONSIDER THE CONTRACTOR IN AGREEMENT WITH THE TIME ESTIMATE. THE ENGINEER WILL EVALUATE ANY REQUEST FOR MODIFICATION TO THE TIME ESTIMATE AND AT THEIR SOLE DISCRETION DETERMINE IF ADDITIONAL TIME IS GRANTED. DISPUTING TIME QUANTITY DOES NOT CONSTITUTE A DELAY IN COMMENCEMENT OF A WORK ORDER. ISSUANCE OF EACH WORK ORDER CONSTITUTES THE NOTICE TO PROCEED WITH THE WORK DESCRIBED. FAILURE TO COMPLETE A WORK ORDER IN THE SPECIFIED TIME SHALL CONSTITUTE "FAILURE TO PURSUE THE WORK" AND SUBJECTS THE CONTRACTOR TO LIQUIDATED DAMAGES AS OUTLINED IN SUBSECTION 108. 9 OF THE STANDARD SPECIFICATIONS BASED ON THE TOTAL VALUE OF THAT PARTICULAR WORK ORDER.

**GENERAL CONTRACT PLAN NOTES**

UPON ISSUANCE OF EACH WORK ORDER, THE CONTRACTOR SHALL SUBMIT THE REQUIRED COPIES OF A DETAILED PROGRESS SCHEDULE AS OUTLINED IN STANDARD SPECIFICATION 108.4 WITHIN 5 CALENDAR DAYS OF THE ISSUANCE OF WORK ORDER. DURING THE CONTRACT, THE CONTRACTOR SHALL SUBMIT TWO-WEEK (OR AS REQUIRED) "LOOK AHEAD" SCHEDULES TO THE AREA ENGINEER NO LATER THAN NOON OF EACH THURSDAY. DETAILS SHALL INCLUDE A DESCRIPTION OF EACH WORK ACTIVITY, THE PLANNED DAYS OF WORK, MULTIPLE CREWS OR SHIFTS, AND SCHEDULED WORKING HOURS. FAILURE TO COMPLY WILL RESULT IN A SUSPENSION OF ALL CONTRACT WORK WITH TIME CHARGES CONTINUING TO BE ASSESSED. THE PROGRESS SCHEDULE MUST ALSO BE UPDATED AND SUBMITTED TO THE DEPARTMENT AS CHANGES OR DELAYS OCCUR IN THE CONTRACT.

**SECTION 400**

9. UNLESS SPECIFIED, OVERLAY WIDTHS SHALL MATCH EXISTING WIDTHS.

10. THE COST OF CLIPPING BACK THE EDGES OF THE ROADWAY, SHOULDERS, AND THE FIRST 3' OF UNPAVED DRIVEWAY ENTRANCES, PICKING UP AND DISPOSING OF WASTE AND EXCESS MATERIAL, AND CLEANING THE EXISTING PAVEMENT PRIOR TO AN OVERLAY SHALL BE INCIDENTAL TO SECTION 401XXX. PREPARING UNPAVED DRIVEWAY ENTRANCES BEYOND THE FIRST 3' SHALL BE PAID UNDER THE APPROPRIATE CONTRACT ITEMS: 202000 AND/OR 30100X.

11. ALL PAVING, INCLUDING TURN LANES AND INTERSECTIONS, IS TO BE COMPLETED CURB TO CURB WITHIN SEVEN (7) CALENDAR DAYS FROM THE TIME THE AREA WAS MILLED. THIS RESTRICTION APPLIES TO EACH DAYS PAVEMENT MILLING OPERATION, NOT AN ENTIRE PROJECT LOCATION. FAILURE TO COMPLY WILL RESULT IN A SUSPENSION OF ALL OTHER CONTRACT WORK WITH TIME CHARGES CONTINUING TO BE ASSESSED.

12. IN ADDITION TO ITEM 401506 SPEED HUMP BEING UTILIZED FOR NEW SPEED HUMPS, IT SHALL ALSO INCLUDE REMOVE AND REPLACE SPEED HUMPS. UNLESS NOTED OTHERWISE, SPEED HUMPS SHALL BE MEASURED AND REPLACED AT THE SAME HEIGHT PRIOR TO CONSTRUCTION BUT SHALL NOT EXCEED 4". ALL SIGNING AND STRIPING SHALL CONFORM TO THE LATEST EDITION OF THE DE MUTCD.

AT REMOVE AND REPLACE LOCATIONS, 401506 SHALL BE PAID AND THE REMOVAL SHALL BE INCIDENTAL TO THIS ITEM. SPEED HUMPS REMOVED AS PART OF THE MILLING/PAVING OPERATION, SCHEDULED TO BE PUT BACK, SHALL BE REPLACED WITHIN SEVEN (7) DAYS OF COMPLETION OF PAVING. FAILURE TO COMPLY WILL RESULT IN A SUSPENSION OF ALL OTHER

**GENERAL CONTRACT PLAN NOTES**

CONTRACT WORK WITH TIME CHARGES CONTINUING TO BE ASSESSED. PAYMENT FOR THIS ITEM SHALL INCLUDE PERMANENT STRIPING AND DELINEATOR POSTS. IF PERMANENT STRIPING CANNOT BE PLACED THE SAME DAY AS THE SPEED HUMP PLACEMENT, TEMPORARY STRIPING SHALL BE APPLIED THE SAME DAY.

13. PAVING WILL INCLUDE INTERSECTING STREETS FROM P.C. TO P.C.: MILLING AND PAVING OF INTERSECTING STREETS WILL NOT BE CONSIDERED FOR ENTRANCE, DRIVEWAY AND INTERSECTING STREET PAVEMENT SURCHARGE, NOR WILL DRIVEWAYS AND ENTRANCES.

14. FOR BITUMINOUS CONCRETE PATCH:

- FOR DRIVEWAY APRONS (BEHIND CURB) PLACE 2 LIFTS OF 2" BITUMINOUS CONCRETE TYPE C.
- FOR FINISHED PATCHES IN FRONT OF CURB, PLACE 2 LIFTS OF 2" BITUMINOUS CONCRETE TYPE C.
- FOR TEMPORARY PATCHES IN FRONT OF CURB, PLACE 2 LIFTS OF 2" OF BITUMINOUS CONCRETE TYPE C OR AS DIRECTED BY THE AREA ENGINEER.
- THE ENGINEER MAY CHANGE TYPE OF BITUMINOUS CONCRETE AND DEPTHS AT THEIR DISCRETION.

15. ALL JOINTS AND PAVEMENT CRACKS SHALL BE SEALED WITHIN 14 DAYS OF COMPLETION OF PAVING. FAILURE TO COMPLY WILL RESULT IN A SUSPENSION OF ALL OTHER CONTRACT WORK WITH TIME CHARGES CONTINUING TO BE ASSESSED.

**SECTION 500**

16. ITEM 501001 PCC PAVEMENT, 8" IS DESIGNATED FOR 8" VALLEY GUTTER. WHEN REPLACING VALLEY GUTTERS, PLEASE REFER TO CONTRACT PLAN DETAILS. DOWEL BARS, WIRE MESH REINFORCEMENT, BITUMINOUS SEAL, AND EXPANSION, PCC SAWCUTS, AND GABC UNDER THE PCC ARE INCIDENTAL TO VALLEY GUTTER ITEM (501001).

**SECTION 600**

17. DRAINAGE INLET GRATES ADJACENT TO THE ROAD, WITHIN THE PROJECT LIMITS, WHICH ARE NOT TYPE 1 SHALL BE REPLACED WITHIN 7 DAYS OF PAVING. THE NEED FOR ANY GRATE MODIFICATIONS OR FOR NEW FRAMES SHALL BE DETERMINED BY THE ENGINEER. ALL REPLACED GRATES/ FRAMES SHALL BE DELIVERED TO THE CANAL DISTRICT MAINTENANCE YARD, OR AS DIRECTED WITH THE COST OF DELIVERY INCIDENTAL TO 602100/602101, REPLACING DRAINAGE INLETS GRATES/FRAMES. FINAL PAYMENT FOR REPLACED GRATES/ FRAMES SHALL

---

DEPARTMENT OF TRANSPORTATION

---

CONTRACT NUMBER- T202604901 CANAL  
SUBDIVISION PAVING, NEW CASTLE COUNTY I, 2026

(CAD) PAGE 10 OF 55

---

**GENERAL CONTRACT PLAN NOTES**

NOT BE MADE UNTIL RECEIPT OF DELIVERED MATERIALS IS PRODUCED AND SIGNED BY A DELDOT REPRESENTATIVE. PLEASE CALL 302-326-4523 TO GET DIRECTIONS PRIOR TO DROP-OFF.

18. CATCH BASIN ON GRADE (COG) INLET DIMENSIONS INCLUDE TROUGH LENGTH AND BOX DIMENSIONS VARY FROM 3'x5' to 6'x13". CONTRACTOR SHALL REMOVE THE COVER SLAB AND EXISTING MANHOLE FRAME AND LID, CLEAN MANHOLE FRAME AND LID AND SET ASIDE FOR REUSE. CONTRACTOR SHALL REPAIR THE WALLS WITH SOLID BRICK/BLOCK TO A DEPTH DETERMINED BY THE ENGINEER. A BUTYL SEAL SHALL BE APPLIED TO THE TOP COURSE. A 3/8" THICK STEEL SHEET WITH A 24" HOLE CUT ON CENTER SHALL BE PLACED ON TOP. FORMS SHALL BE CONSTRUCTED FOR 6" OF CLASS B CONCRETE TO BE PLACED ATOP THE STEEL SHEETING WITH #4 REBAR, 6" ON CENTER REUSING MANHOLE FRAME AND LID. WORK TO ADJUST OR REPAIR FLOW CHANNELS AND INSTALL STEPS IS EXCLUDED FROM DEPTH OF REPAIR PAYMENT ADJUSTMENTS. DEWATERING SHALL BE INCIDENTAL TO THE REPAIR.

COG INLET SHALL BE PAID FOR UNDER ITEM 602012 – DRAINAGE INLET, SPECIAL. THE DEPARTMENT WILL PAY THE QUANTITY OF ITEM 602012 AT THE CONTRACT UNIT PRICE. PRICE AND PAYMENT WILL CONSTITUTE FULL COMPENSATION.

19. CATCH BASINS WITH A MANHOLE SHALL BE CONVERTED TO A STANDARD CATCH BASIN AT THE DISCRETION OF THE ENGINEER. A 6" COVERSLAB WITH REBAR 6-8" ON CENTER AND MINIMUM OF 6" OF TOPSOIL ON TOP SHALL REPLACE MANHOLE. PAYMENT FOR ADDITIONAL WORK SHALL BE PAID AN ADDITIONAL QUANTITY OF 0.5 THE BID AMOUNT FOR ITEM 602130 OR 602131. WORK TO ADJUST OR REPAIR FLOW CHANNELS AND INSTALL STEPS IS EXCLUDED FROM DEPTH OF REPAIR PAYMENT ADJUSTMENTS. DEWATERING SHALL BE INCIDENTAL TO THE REPAIR.

20. WHEN ENCOUNTERING DELDOT STORMWATER MANHOLES WITHIN LIMITS OF PAVING, THOSE MANHOLES WILL BE ADJUSTED AND UPDATED AT THE DISCRETION OF THE ENGINEER. ITEMS 602102/602103 SHALL BE FULL COMPENSATION (FURNISH AND INSTALLING) THE NEW LIDS AND FRAMES.

21. WHEN ENCOUNTERING NEW CASTLE COUNTY SANITARY MANHOLES WITHIN THE LIMITS OF PAVING, THOSE MANHOLES WILL BE ADJUSTED AND UPDATED AT THE DISCRETION OF THE ENGINEER. THE LIDS AND FRAMES ARE PROVIDED BY NEW CASTLE COUNTY AT NO COST TO THE CONTRACTOR. OBTAINING, STORING, DELIVERING, AND PLACING THESE NEW LIDS AND FRAMES SHALL BE INCIDENTAL TO THE ADJUSTMENT ITEM 602132.

ANY ADJUSTMENTS TO THE AFOREMENTIONED MUNICIPALLY OWNED FACILITIES SHALL BE DONE IN ACCORDANCE WITH THE RESPECTIVE AGENCIES STANDARD SPECIFICATIONS, AS CONSTRUCTION WARRANTS.

**GENERAL CONTRACT PLAN NOTES**

**SECTION 700**

22. BUTT JOINTS SHALL BE CONSTRUCTED AT ALL INTERSECTING BITUMINOUS CONCRETE ROADS AND ANY OTHER LOCATIONS AS DIRECTED BY THE ENGINEER. BUTT JOINTS AT RAILROAD CROSSINGS AND AT BRIDGE OR DRAINAGE STRUCTURES NOT TO BE RESURFACED SHALL BE AS PER THE INCLUDED PLAN DETAIL. BUTT JOINTS CUT PRIOR TO THE DAY OF PAVEMENT OVERLAY SHALL BE RAMPED WITH BITUMINOUS CONCRETE TRM, IN MILLING AREAS, INCIDENTAL TO THE ITEM 762004 BUTT JOINT. ONLY BITUMINOUS CONCRETE WILL BE ALLOWED FOR THIS PURPOSE. BUTT JOINTS IN FULL MILL AREAS SHALL BE INCIDENTAL TO THE PAVEMENT MILLING ITEM (760010). SAWCUTS FOR BUTT JOINTS SHALL BE INCIDENTAL TO THE BUTT JOINT ITEM. ALL BITUMINOUS CONCRETE TRM SHALL BE REMOVED PRIOR TO THE PAVING OPERATION.

23. AFTER PAVEMENT MILLING, ALL TRANSVERSED VERTICAL DIFFERENCES, RAISED EDGES OF MANHOLES, DRAINAGE INLETS, WATER VALVE BOXES, ETC. SHALL BE RAMPED WITH BITUMINOUS CONCRETE TRM AT A 20:1 OR FLATTER SLOPE PRIOR TO OPENING THE ROADWAY TO TRAFFIC AND SHALL BE INCIDENTAL TO PAVEMENT MILLING. PAVEMENT MILLINGS OR COLD PATCH MATERIAL WILL NOT BE ALLOWED FOR THIS PURPOSE.

ALL ADJUSTMENTS SHALL BE MADE NOT MORE THAN SEVEN (7) CALENDAR DAYS PRIOR TO THE PLACEMENT OF THE FINAL COURSE OF BITUMINOUS CONCRETE, UNLESS DIRECTED BY THE ENGINEER. FAILURE TO COMPLY WILL RESULT IN A SUSPENSION OF ALL OTHER CONTRACT WORK WITH TIME CHARGES CONTINUING TO BE ASSESSED.

ALL BITUMINOUS CONCRETE TRM SHALL BE REMOVED PRIOR TO THE PAVING OPERATIONS. IF THE CONTRACTOR ELECTS TO ADJUST MANHOLES, DRAINAGE INLETS AND WATER VALVES AFTER THE FINAL COURSE OF PAVING, THIS WORK MUST BE COMPLETED WITHIN SEVEN (7) CALENDAR DAYS OF THE FINAL COURSE OF BITUMINOUS CONCRETE. FAILURE TO COMPLY WILL RESULT IN A SUSPENSION OF ALL OTHER CONTRACT WORK WITH TIME CHARGES CONTINUING TO BE ASSESSED.

24. THE CONTRACTOR SHALL TAKE CARE IN REMOVING PAVEMENT AROUND UTILITIES, BUTT JOINTS, CURBS, ETC. SO THAT EXISTING PAVEMENT BEYOND THE SPECIFIED DEPTHS IS NOT DAMAGED. ANY DAMAGE CAUSED BY THE CONTRACTOR'S OPERATIONS MAY RESULT IN PLACING LEVELING COURSES AT THE CONTRACTOR'S EXPENSE. THE REMOVAL AND CLEAN UP OF THE HOT MIX RESIDUE WEDGE REMAINING AFTER MILLING OPERATIONS SHALL BE INCIDENTAL TO THE MILLING ITEM. THE REMOVAL OF EXISTING RAISED PAVEMENT MARKERS (RPM'S) SHALL BE INCIDENTAL TO THE APPLICABLE MILLING AND/OR RECLAMATION ITEMS.

**GENERAL CONTRACT PLAN NOTES**

25. TAPER MILLING IS INTENDED FOR MILLING IN THE AREA OF FIXED STRUCTURES (I.E. CURBS, MANHOLES, ETC.) THE MILLED DEPTH AT THE STRUCTURE SHALL BE THE DEPTH OF THE PROPOSED OVERLAY AND 0" AT A DISTANCE OF +/- 6 ½ FEET FROM THE STRUCTURE. THE COMPUTED DEPTH FOR PAYMENT PURPOSES IS THE AVERAGE OF THE TWO DEPTHS.

UNLESS DIRECTED OTHERWISE BY THE AREA ENGINEER, ALL CUL-DE-SAC'S ON THIS CONTRACT SHALL BE TAPER MILLED AND WILL BE PAID AS ITEM 760011, TAPERMILL.

26. ON THIS CONTRACT FULL MILL AREAS WILL UTILIZE ITEM 760010 PAVEMENT MILLING, BITUMINOUS CONCRETE PAVEMENT (SY-IN). UNLESS OTHERWISE NOTED, ALL MILLING LOCATIONS ARE EXPECTED TO BE MILLED AT A 2" DEPTH. FOR AVERAGE MILLING DEPTHS OF 0.5" TO AN AVERAGE MILLING DEPTH OF 2.25", THE FULL MILL AREAS WILL BE PAID AT AN AVERAGE 2".

27. MILLING OF BITUMINOUS PAVEMENT IN PREPARTION FOR OVERLAY IS TO INCLUDE MILLING EXISTING CONCRETE PATCHES AND/OR COMPOSITE PAVING AND SHOULD BE CONSIDERED INCIDENTAL TO ITEM 760010, PAVEMENT MILLING, BITUMINOUS CONCRETE PAVEMENT.

28. ALL MILLED MATERIAL SHALL REMAIN THE PROPERTY OF THE CONTRACTOR UNLESS OTHERWISE STATED.

29. AT LOCATIONS THAT HAVE PCC REPLACEMENT, PAVING MUST BE COMPLETED WITHIN 90 CALENDAR DAYS FROM THE START OF THE PCC REPLACEMENT. BETWEEN OCTOBER 15TH AND NOVEMBER 30<sup>TH</sup>, PAVING MUST BE COMPLETED WITHIN 30 CALENDAR DAYS FROM THE START OF THE PCC REPLACEMENT. FAILURE TO COMPLY WILL RESULT IN A SUSPENSION OF ALL OTHER CONTRACT WORK WITH TIME CHARGES CONTINUING TO BE ASSESSED.

30. UPRIGHT PCC CURB UTILIZED FOR GRADE RETENTION 8" OR HIGHER WILL BE PAID AS 701013, TYPE 1-8 CURB.

31. EXCAVATION UP TO 2' IN FRONT OF CURB, ADA FACILITIES, DRAINAGE INLETS, AND VALLEY GUTTERS WILL BE INCIDENTAL TO THE CORRESPONDING ITEMS (701XXX, 705XXX, 602XXX, AND 501XXX). HOT MIX PLACED IN FRONT OF CURB WILL BE PAID UNDER ITEM 401XXX. USE OF CONCRETE AS FILL IN FRONT OF CURB WILL NOT BE ACCEPTED UNLESS DIRECTED BY THE ENGINEER. AT EACH LOCATION, BACKFILLING SHALL BE PERFORMED IMMEDIATELY UPON REMOVAL OF FORMS FOR CURB OR SIDEWALK. TOPSOIL, SEEDING, SEALING OF VALLEY GUTTERS, REMOVING OF FORMS, AND PARGING OF CATCH BASINS, SHALL BE COMPLETED WITHIN SEVEN (7) CALENDAR DAYS OF COMPLETION OF THE ITEM OF WORK. ITEM 908001, TOPSOIL, SHALL BE USED AS BACKFILL MATERIAL BEHIND CURB AND AROUND SIDEWALK OR/AS

**GENERAL CONTRACT PLAN NOTES**

DIRECTED BY THE ENGINEER. TOPSOIL SHALL BE SCREENED/SIFTED SO AS NO MATERIAL GREATER THAN .5" SHOULD BE PRESENT IN MATERIAL USED FOR BACKFILL. EXCAVATED MATERIAL, NOT NEEDED ON THE PROJECT, SHALL BE REMOVED FROM THE CONTRACT AT THE CONTRACTORS EXPENSE. FAILURE TO COMPLY WILL RESULT IN A SUSPENSION OF ALL OTHER CONTRACT WORK WITH THE CHARGES CONTINUING TO BE ASSESSED.

32. AS DIRECTED BY THE ENGINEER, THE CONTRACTOR SHALL PARTIALLY SAW AND FILL EXISTING CRACKED CURB AND/OR SIDEWALK WITH AN APPROVED SEALER. THIS WORK WILL BE INCIDENTAL TO ITEM 762001 SAWCUT - CONCRETE FULL DEPTH.

33. PERTAINING TO PCC CURB REMOVAL & PATCHING, SAWCUTTING IS TO BE PERFORMED PRIOR TO THE REMOVAL OF BITUMINOUS CONCRETE UNLESS APPROVAL IS GIVEN BY THE ENGINEERS REPRESENTATIVE.

34. BEFORE THE START OF A DAY'S PAVEMENT MILLING OR PAVING OPERATIONS AND WHERE THERE IS EXISTING STRIPING, THE CONTRACTOR SHALL BE REQUIRED TO PROVIDE PROOF THAT SUFFICIENT APPROVED STRIPING MATERIALS ARE ON HAND TO ENSURE STRIPING IS COMPLETE BEFORE TRAFFIC IS RETURNED TO THE ROADWAY.

35. ITEM 710370 STEEL CASING PIPE-4" IS DESIGNATED FOR ROOF DRAIN. WHEN REPLACING OR EXTENDING ROOF DRAINS, SUMP PUMP DRAINS, ETC. FROM RIGHT-OF-WAY TO CURBLINE, ITEM 710370 WILL BE UTILIZED REGARDLESS OF PIPE MATERIAL OR SIZE.

36. GAS VALVE, MONUMENT BOX, AND LAMP HOLE ADJUSTMENTS WILL BE PAID AS 710002, WATER VALVE ADJUSTMENTS.

37. REMOVAL OF ANY UNSUITABLE MATERIALS INCLUDING ROOTS AND VEGETATIVE MATTER DISCOVERED WITHIN OR DIRECTLY BELOW THE TEMPLATE OF PCC / GRANITE CURB, PEDESTRIAN FACILITIES, AND/OR PCC / BRICK SIDEWALKS SHALL BE INCIDENTAL TO THE CORRESPONDING ITEM.

38. TRASH, RUBBISH, DEBRIS, OR BRUSH THAT HAMPERS REPAIR/MAINTENANCE WORK IN THIS CONTRACT (AS DETERMINED BY THE ENGINEER), SHALL BE REMOVED WITHIN THE PROJECT LIMITS AND SHALL BE INCIDENTAL TO PAY ITEM 763000 (INITIAL EXPENSE/DEMOBILIZATION).

39. CLEARING AND GRUBBING INCLUDES OBTAINING WIDTH AND HEIGHT REQUIREMENTS FOR PAR AND CLEARING OF SIGHT DISTANCE (INCLUDING EXISTING FACILITIES AND SIGNS). CLEARING AND GRUBBING OF TREES, SHRUBS AND OTHER VEGETATION LESS THAN 6" IN DIAMETER SHALL BE INCIDENTAL TO ITEM 763000 (INITIAL EXPENSE/DEMOBILIZATION).

40. GRASS AND SOIL AREAS WITHIN THE STATE RIGHT-OF-WAY AND ADJACENT PRIVATE

**GENERAL CONTRACT PLAN NOTES**

PROPERTY THAT HAS BEEN DAMAGED DURING CONTRACT OPERATIONS SHALL BE RESTORED WITH TOPSOIL, SEED AND MULCH AT THE CONTRATOR'S EXPENSE. WORK SHALL BE EXECUTED IN ACCORDANCE WITH THE REQUIREMENTS FOR ITEM 908001 (TOPSOIL), ITEM 908016 (PERMANENT GRASS SEEDING SUBDIVISION), AND ITEM 908020 (EROSION CONTROL BLANKET MULCH). REPAIRS MUST BE COMPLETED WITHIN SEVEN (7) CALENDAR DAYS OF NOTIFICATION. FAILURE TO COMPLY WILL RESULT IN A SUSPENSION OF ALL OTHER CONTRACT WORK WITH TIME CHARGES CONTINUING TO BE ASSESSED.

**SECTION 800**

41. THE USE OF MILLINGS AND GABC IN THE TRAVEL WAY, TEMPORARY TRAVEL WAY, HIGH VOLUME ENTRANCES AND ACCESS RAMP FOR THE PURPOSE OF PROVIDING A TEMPORARY ROADWAY SURFACE, POTHOLE REPAIR, TAPERED EDGE FOR UTILITIES, BUTT JOINTS, AND LONGITUDINAL DROP-OFFS (MILLING AND PAVING OPERATIONS) IS PROHIBITED UNLESS IT IS OTHERWISE DESIGNATED TO BE USED IN THE CONTRACT PLANS. USE COLD PATCH, BITUMINOUS CONCRETE, BITUMINOUS CONCRETE WEDGE, OR TAPER MILL, AS NOTED IN THE CONTRACT DOCUMENTS OR APPROVED BY THE ENGINEER. PAYMENT FOR COLD PATCH, BITUMINOUS CONCRETE, OR BITUMINOUS CONCRETE WEDGE SHALL BE INCIDENTAL TO THE BITUMINOUS CONCRETE MILLING ITEM.

MILLINGS OR GABC SHALL BE USED AT THE FOLLOWING LOCATIONS WHERE ACCESS TO A BUSINESS RESIDENCE, OR EDGE DROP OFF NEEDS TO BE MAINTAINED UNLESS OTHERWISE NOTED IN THE PLANS OR DIRECTED BY THE ENGINEER TO USE BITUMINOUS CONCRETE OR COLD PATCH. ALL MILLING AND GABC WILL BE ROLLED AND COMPACTED TO HELP PREVENT THE MATERIAL FROM UNRAVELING.

- A. DRIVEWAYS
- B. ENTRANCES
- C. LOW VOLUME ACCESS RAMPS (IDENTIFIED IN THE CONTRACT DOCUMENTS)
- D. EDGE DROP-OFFS ADJACENT TO LIVE ROADWAY (LANE, SHOULDER, OR TURN LANE) AND THE PROPOSED ROAD CONSTRUCTION
- E. EDGE OF ROADWAY DROP-OFF

GRADING AND MAINTAINING BASE COURSE THAT IS BEING USED FOR ROADWAY WEDGE/FILLET BETWEEN TRAVEL LANES AND PAVEMENT BOX, EDGE OF TRAVEL WAY, DRIVEWAY OR ENTRANCE ACCESS SHALL BE INCIDENTAL TO ITEM 801500 (MAINTENANCE OF TRAFFIC). THE

**GENERAL CONTRACT PLAN NOTES**

BASE COURSE MATERIAL SHALL BE PLACED AT NO GREATER THAN THE SLOPE SPECIFIED IN TABLE 6G-1 AND SHALL BE COMPACTED. EXCESS BASE COURSE MATERIAL SHALL BE PUSHED AHEAD AND USED IN THE NEXT SEGMENT AND SHALL BE INCIDENTAL TO THE PARTICULAR BASE COURSE PAY ITEM. NO SEPARATE PAYMENT SHALL BE MADE FOR MILLINGS OR GABC TEMPORARY ROADWAY MATERIAL (TRM) USED TO PROTECT EDGE DROP-OFFS, UNLESS THE MATERIAL IS EVENTUALLY UTILIZED AS PART OF A PERMANENT ROADWAY AT WHICH TIME THE MATERIAL WOULD BE PAID FOR UNDER THE RESPECTIVE CONTRACT MATERIAL ITEM. VERTICAL DIFFERENCES SHALL BE CORRECTED IN ACCORDANCE WITH TABLE 6G-1 OF THE DELAWARE MUTCD.

42. LANE CLOSURES ON 3-DIGIT MAINTENANCE ROADS ARE PERMITTED ONLY BETWEEN THE HOURS OF 9:00 AM AND 3:00 PM, MONDAY - FRIDAY. ANY VARIANCE SHALL REQUIRE DISTRICT SAFETY OFFICERS APPROVAL.

43. MESSAGE BOARDS SHALL BE PLACED 10 DAYS IN ADVANCE OF THE WORK AND SHALL REMAIN IN PLACE FOR 5 DAYS AFTER THE START OF WORK. LOCATIONS OF MESSAGE BOARDS AND MESSAGES DISPLAYED SHALL BE REVIEWED AND APPROVED BY THE DISTRICT SAFETY OFFICER.

44. AT EACH LOCATION, THE CONTRACTOR SHALL NOTE ALL EXISTING PAVEMENT MARKINGS AND SUBMIT A DRAWING WHICH DEPICTS THE STRIPING PATTERN TO THE DEPARTMENT PRIOR TO THE START OF ANY WORK AT THE LOCATION.

AT THE END OF EACH DAY'S OPERATION AND BEFORE TRAFFIC IS RETURNED TO UNRESTRICTED ROADWAY USE, TEMPORARY MARKINGS SHALL BE UTILIZED AT LOCATIONS THAT REQUIRE PERMANENT MARKING. TEMPORARY PAVEMENT STRIPING MUST MATCH PERMANENT PAVEMENT STRIPING IN ALL REGARDS.

TEMPORARY PAVEMENT MARKINGS SHALL BE PAID AT THE APPLICABLE CONTRACT UNIT PRICE. THE CONTRACTOR IS RESPONSIBLE FOR MAINTAINING THE TEMPORARY MARKINGS IN GOOD CONDITION SUCH THAT THE PAVEMENT IS PROPERLY DELINEATED AT ALL TIMES. ANY REFRESHING OF THE TEMPORARY MARKINGS WILL BE AT THE CONTRACTOR'S EXPENSE.

**GENERAL CONTRACT PLAN NOTES**

FINAL PAVEMENT MARKINGS SHALL CONFORM TO ALL EXISTING PATTERNS AND SHALL BE PLACED WITHIN FIVE (5) CALENDER DAYS (MAXIMUM) AFTER PLACEMENT OF THE FINAL COURSE OF BITUMINOUS CONCRETE. IF THE CONTRACTOR FAILS TO DOCUMENT THE EXISTING PAVEMENT MARKINGS IN AN ACCEPTABLE MANNER, HE SHALL BE REQUIRED TO PROVIDE AT HIS OWN EXPENSE, A NEW PAVEMENT MARKING PLAN SIGNED AND SEALED BY A PROFESSIONAL ENGINEER REGISTERED IN THE STATE OF DELAWARE.

ANY ERRONEOUS MARKING WILL NOT BE PAID FOR AND SHALL BE CORRECTED IMMEDIATELY AT THE CONTRACTOR'S EXPENSE. ERRONEOUS MARKINGS OR SHADOWS THAT EXCEED ONE (1) INCH IN WIDTH SHALL BE REMOVED BY EITHER SAND OR WATER BLASTING. NO OTHER REMOVAL METHODS WILL BE ALLOWED. A FLAT BLACK PAINT OR DRIVEWAY SEALER SHALL BE APPLIED IN THE AREA OF THE REMOVED MARKING TO MASK THE REPAIR. ANY DAMAGE TO THE PAVEMENT CAUSED BY REMOVAL OF ERRONEOUS MARKINGS SHALL BE REPAIRED / REPLACED TO THE SATISFACTION OF THE ENGINEER. FAILURE TO COMPLY WILL RESULT IN SUSPENSION OF ALL OTHER CONTRACT WORK WITH TIME CHARGES CONTINUING TO BE ASSESSED.

45. THE CONTRACTOR, WITH THE ENGINEER, SHALL INVENTORY ALL SIGNS ON ALL ROADS SUBJECT TO IMPROVEMENTS. NECESSARY SIGNS SHALL BE MAINTAINED IN OPERATION DURING CONSTRUCTION AND ANY OTHER SIGNS SHALL BE PROPERLY STORED WITH THE CONTRACTOR, WHO SHALL BE RESPONSIBLE FOR LOSS OR DAMAGE. IMMEDIATELY PRIOR TO FINAL INSPECTION, THE CONTRACTOR AND ENGINEER SHALL AGAIN INVENTORY THE TRAFFIC SIGNS AND ACCOUNT FOR ANY LOST OR DAMAGED SIGNS. LOST OR DAMAGED SIGNS, AT THE DISCRETION OF THE ENGINEER SHALL BE REPLACED IN KIND AT THE CONTRACTOR'S EXPENSE.

46. REGULATORY SIGNS REMOVED MUST BE REINSTALLED THE SAME DAY. IN ABSENCE OF A SIGN SCHEDULE, INSTALLATION OR REMOVAL OF TRAFFIC SIGN(S) AND SIGNPOST(S) WILL BE PAID AS ITEM 819003. THIS ITEM SHALL INCLUDE THE REMOVAL OF THE EXISTING SIGN(S) AND SIGNPOST(S), THE BORING/CREATION OF THE NEW HOLE, AND THE PLACEMENT OF THE SIGN(S) AND SIGNPOST(S) IN THE NEW LOCATION. ITEM 819003 WILL BE PAID ONE TIME PER POST AFTER FINAL INSTALLATION.

47. A FORMAL DETOUR WILL NOT BE NECESSARY ON THIS CONTRACT. THE CONTRACTOR MUST MAINTAIN LOCAL TRAFFIC WITHIN THE PROJECT LIMITS UTILIZING FLAGGERS. MAINTENANCE OF TRAFFIC DURING LANE CLOSURES AND/OR LANE SHIFTS SHALL CONFORM TO TYPICAL APPLICATIONS OF THE DELAWARE MUTCD. ANY VARIANCE SHALL REQUIRE DISTRICT SAFETY OFFICERS APPROVAL.

**GENERAL CONTRACT PLAN NOTES**

48. BEFORE WORK IS DONE AT ANY LOCATION, THE APPROPRIATE DISTRICT SAFETY OFFICER MUST APPROVE THE MOT FOR THAT LOCATION TWO WEEKS IN ADVANCE. ANY ANTICIPATED IMPACT TO TRAFFIC SIGNALS MUST BE REVIEWED BY THE DELDOT TRAFFIC SECTION PRIOR TO CONSTRUCTION. THEY CAN BE CONTACTED AT 302-659-4061.

49. THE CONTRACTOR SHALL SUBMIT A TRAFFIC CONTROL PLAN, INCLUDING PEDESTRIAN AND BICYCLE FACILITIES, FOR ALL DEVICES THAT WILL BE UTILIZED PRIOR TO THE PRE-CONSTRUCTION MEETING. ALL TRAFFIC CONTROL DEVICES SHALL BE IN NEW OR REFURBISHED CONDITION AND MUST BE ON DELDOT'S APPROVED PRODUCTS LIST (APL). THE DEVICES SHALL BE APPROVED BY THE SAFETY SECTION PRIOR TO USE AND SHALL BE MAINTAINED IN GOOD CONDITION FOR THE DURATION OF THE CONTRACT.

50. ALL WORK SHALL BE PERFORMED IN A MANNER THAT WILL REASONABLY PROVIDE THE LEAST PRACTICABLE OBSTRUCTION TO ALL ROAD USERS, INCLUDING VEHICULAR, PEDESTRIAN AND BICYCLE TRAFFIC, AND SHALL CONFORM TO THE REQUIREMENTS OF THE 2011 DELAWARE MANUAL ON UNIFORM TRAFFIC CONTROL DEVICES, PART 6, INCLUDING ALL REVISIONS UP TO THE DATE OF ADVERTISEMENT FOR BIDS.

51. CURB RAMP AND/OR SIDEWALK CONSTRUCTION (NOT INCLUDING MEDIAN ISLANDS) SHALL BE COMPLETED DURING A SINGLE OPERATION. THE RAMP/SIDEWALK SHALL BE REMOVED AND PLACED BACK THE SAME NIGHT/DAY AND OPEN TO PEDESTRIAN TRAFFIC THE FOLLOWING DAY. THE USE OF A MONOLITHIC POUR SHALL BE PERMITTED WITH A BOND BREAKER TO BE PLACED AT THE BACK OF THE CURB AND EDGE OF SIDEWALK. IF THE CURB RAMP/SIDEWALK CANNOT BE COMPLETED IN A SINGLE OPERATION THE EXCAVATED AREA MUST BE TEMPORARILY BACKFILLED TO GRADE WITH COMPACTED MILLING MATERIAL ONLY. THIS TEMPORARY MATERIAL WILL BE INCIDENTAL TO THE CURB RAMP ITEM. THE DRESSING UP OF THE AREA BEING PAID AS A CURB RAMP WITH TOPSOIL AND SEED WILL BE PAID AT CONTRACT UNIT PRICES. THE CONTRACTOR SHALL MAINTAIN ACCESS TO AND ALONG PEDESTRIAN FACILITIES AT ALL TIMES DURING CONSTRUCTION. EARTH, STONE AND GRAVEL SURFACES ARE NOT ACCEPTABLE FOR PROVIDING PEDESTRIAN ACCESS. IF CURB RAMP CANNOT BE COMPLETED IN A SINGLE OPERATION AND PEDESTRIAN ROUTES ARE CLOSED OR BLOCKED, ALTERNATE PEDESTRIAN ACCESS SHALL BE PROVIDED USING TA-28 AND/OR TA-29 OF THE 2011 DELAWARE MANUAL ON UNIFORM TRAFFIC CONTROL DEVICES OR TO THE SATISFACTION OF THE ENGINEER. PEDESTRIAN DETOUR ROUTES OR ALTERNATE PEDESTRIAN FACILITIES SHALL CONSIST OF ADA COMPLIANT FACILITIES TO THE LEVEL OF WHICH EXISTS ON THE PEDESTRIAN ROUTE. THE COST FOR ANY PROVISIONS SHALL BE INCIDENTAL TO ITEM 801500 - MAINTENANCE OF TRAFFIC - ALL INCLUSIVE.

PEDESTRIAN MAINTENANCE OF TRAFFIC: THIS WORK SHALL CONSIST OF PROVIDING AND MAINTAINING AN ACCESSIBLE PEDESTRIAN ROUTE THROUGHOUT THE PROJECT'S LIMITS IN ACCORDANCE WITH *THE AMERICANS WITH DISABILITIES ACT OF 1990 (ADA) TITLE II, PARAGRAPH 35.130*.

**GENERAL CONTRACT PLAN NOTES**

THE CONTRACTOR SHALL BE REQUIRED TO REVIEW EACH CURB RAMP LOCATION AND SUBMIT THE APPROPRIATE MAINTENANCE OF TRAFFIC DETAIL AND DEVICES TO THE ENGINEER FOR EACH LOCATION AT LEAST 2-WEEKS BEFORE CONSTRUCTION FOR REVIEW, COMMENT, AND APPROVAL BY THE DISTRICT SAFETY OFFICER.

THE FOLLOWING CONSIDERATIONS SHALL BE TAKEN INTO ACCOUNT WHEN ADDRESSING ACCESSIBLE PEDESTRIAN MAINTENANCE OF TRAFFIC:

- ALL PEDESTRIANS, INCLUDING PERSONS WITH DISABILITIES, SHALL BE PROVIDED WITH A REASONABLY SAFE, CONVENIENT AND ACCESSIBLE PATH THAT REPLICATES AS MUCH AS PRACTICABLE THE EXISTING PEDESTRIAN FACILITIES.
- MAINTAIN ACCESS TO ALL BUSINESS AND RESIDENTS AT ALL TIMES.
- PROVIDE PEDESTRIAN ACCESS THRU OR AROUND THE WORK ZONE. IF A DETOUR IS CHOSEN THE CONTRACTOR MUST SUBMIT THE DETOUR ROUTE TO THE ENGINEER FOR REVIEW AND APPROVAL. THE DETOUR ROUTE MUST MEET OR EXCEED THE CURRENT CONDITIONS.
- WORK SHOULD BE PHASED SO THAT ALL AREAS OF AN INTERSECTION/SIDEWALK PATH ARE NOT UNDER CONSTRUCTION AT THE SAME TIME UNLESS A CLEAR PATH IS PROVIDED AND IDENTIFIED.
- TRAFFIC CONTROL DEVICES AND OTHER CONSTRUCTION MATERIALS AND FEATURES SHALL NOT INTRUDE INTO THE USABLE WIDTH OF THE SIDEWALK, TEMPORARY PATHWAY OR OTHER PEDESTRIAN FACILITY.
- SIGNS AND OTHER DEVICES MOUNTED LOWER THAN 7 FT ABOVE THE TEMPORARY PEDESTRIAN PATHWAY SHALL NOT PROJECT MORE THAN 4 IN. INTO ACCESSIBLE PEDESTRIAN ROUTE.
- A SMOOTH, CONTINUOUS HARD SURFACE SHALL BE PROVIDED THROUGHOUT THE ENTIRE LENGTH AND WIDTH OF THE PEDESTRIAN ROUTE THROUGHOUT CONSTRUCTION. THERE SHALL BE NO CURBS OR VERTICAL ELEVATION CHANGES GREATER THAN ¼ IN. IN GRADE OR TERRAIN THAT COULD CAUSE TRIPPING OR BE A BARRIER TO WHEELCHAIR USE.

**SECTION 900**

52. EROSION CONTROL MULCH BLANKET SHALL BE USED IN ALL DISTURBED AREAS UNLESS DIRECTED OTHERWISE BY THE ENGINEER.

**GENERAL CONTRACT PLAN NOTES**

**ADDITIONAL PROJECT NOTES**

53. UNDERGROUND UTILITIES MAY BE PRESENT AT ALL LOCATIONS. THEREFORE, ALL STANDARD PRACTICES AND PROCEDURES REGARDING UTILITIES SHALL BE FOLLOWED. THE CONTRACTOR SHALL CONTACT MISS UTILITY OF DELAWARE PRIOR TO STARTING WORK. THE CONTRACTOR IS RESPONSIBLE FOR THE SUPPORT AND PROTECTION OF ALL UTILITIES WHEN EXCAVATING WHICH SHALL BE INCIDENTAL TO THE RESPECTIVE EXCAVATION ITEM(S). THE CONTRACTOR IS RESPONSIBLE FOR ENSURING PROPER CLEARANCES, INCLUDING SAFETY CLEARANCES, FROM OVERHEAD UTILITIES FOR CONSTRUCTION EQUIPMENT. THE CONTRACTOR IS ADVISED TO CHECK THE SITE FOR ACCESS PURPOSES FOR THEIR EQUIPMENT AND MAKE ARRANGEMENTS DIRECTLY WITH THE UTILITY COMPANIES FOR FIELD ADJUSTMENTS FOR ADEQUATE CLEARANCES, IF NECESSARY.

54. NO UTILITY RELOCATION INVOLVEMENT IS ANTICIPATED. SHOULD ANY CONFLICTS BE ENCOUNTERED DURING CONSTRUCTION REQUIRING ADJUSTMENT AND/OR RELOCATION OF THE AGENCIES' EXISTING FACILITIES, THE NECESSARY RELOCATION WORK SHALL BE ACCOMPLISHED BY THE RESPECTIVE AGENCIES' FORCES, AS DIRECTED BY THE DISTRICT ENGINEER. ANY ADJUSTMENTS AND/OR RELOCATIONS OF MUNICIPALLY OWNED FACILITIES SHALL BE DONE BY THE STATE'S CONTRACTOR IN ACCORDANCE WITH THE RESPECTIVE AGENCIES' STANDARD SPECIFICATIONS AS DIRECTED BY THE DISTRICT ENGINEER.

55. NO ENVIRONMENTAL PERMITS ARE REQUIRED FOR THIS WORK PROVIDED NO JURISDICTIONAL WETLANDS OR WATERS ARE IMPACTED. IF THERE IS ANY QUESTION AS TO WHETHER OR NOT A WATER OR WETLAND IS JURISDICTIONAL, CONTACT THE DEL DOT ENVIRONMENTAL SECTION AT 302-760-2264.

56. IT IS ANTICIPATED THAT ALL WORK WILL OCCUR WITHIN DELDOT'S EXISTING RIGHT OF WAY OR EASEMENT AREAS. SHOULD THE NEED OCCUR TO TRESPASS ONTO PRIVATE PROPERTY; IT WILL BE THE RESPONSIBILITY OF THE PROJECT MANAGER TO SECURE SUCH TRESPASS NEEDS.

57. NO WORK NEAR OR WITHIN RAILROAD RIGHT-OF-WAY IS ANTICIPATED. IF ANY RAILROAD PROPERTY OR FACILITIES ARE NEAR OR WITHIN THE PROPOSED LIMITS OF WORK OR IF THE PROPOSED WORK ENCROACHES UPON THE RAILROAD'S RIGHT-OF-WAY, THE CONTRACTOR SHALL BE RESPONSIBLE FOR OBTAINING THE REQUIRED CLEARANCES AND INSURANCES FOR EACH INVOLVED RAILROAD IN ACCORDANCE WITH THE APPROPRIATE DELDOT MAINTENANCE OF RAILROAD TRAFFIC ITEM. DELDOT'S RAILROAD SECTION MANAGER MUST BE CONTACTED AT (302) 659-4087 TO COORDINATE THE EXECUTION OF THE APPROPRIATE AGREEMENTS AND AUTHORIZATIONS REQUIRED FROM ANY RAILROAD COMPANY INVOLVED, INCLUDING

---

**DEPARTMENT OF TRANSPORTATION**

---

**CONTRACT NUMBER- T202604901 CANAL  
SUBDIVISION PAVING, NEW CASTLE COUNTY I, 2026**

**(CAD) PAGE 20 OF 55**

---

**GENERAL CONTRACT PLAN NOTES**

COORDINATION FOR RAILROAD FLAGGING, IF NECESSARY. ELECTRONIC SUBMITTALS CAN BE SENT TO DOT\_RAILROAD@DELAWARE.GOV.

58. THE PROJECT MANAGER SHALL BE RESPONSIBLE FOR COORDINATING WITH THE TRAFFIC SECTION RELATING TO ANY IMPACTS TO TRAFFIC SECTION FACILITIES (INCLUDING BUT NOT LIMITED TO TRAFFIC LOOPS, JUNCTION WELLS ETC.) AT LEAST 4 WEEKS IN ADVANCE OF THE START OF THE ACTIVITY. PRIOR TO INITIATING ANY WORK ON THIS CONTRACT (OR SITES), THE PROJECT MANAGER SHALL BE RESPONSIBLE FOR PREPARING AND SUBMITTING FOR APPROVAL OF THE SAFETY SECTION, A MAINTENANCE OF TRAFFIC PLAN. SUFFICIENT TIME SHALL BE PROVIDED FOR THE REVIEW AND APPROVAL OF THE PLAN. THE MAINTENANCE OF TRAFFIC PLAN SHALL INCLUDE PROPOSED TIME RESTRICTIONS ON THE CLOSURE OF TRAVEL LANES SUBJECT TO THE APPROVAL OF THE SAFETY SECTION. TRAFFIC LOOPS MUST BE PUT BACK WITHIN 7 DAYS OF PAVING, FAILURE TO COMPLY WILL RESULT IN A SUSPENSION OF ALL OTHER CONTRACT WORK WITH TIME CHARGES CONTINUING TO BE ASSESSED.

59. THE DEPARTMENT RESERVES THE RIGHT TO REQUEST AN EXTENSION OF THIS CONTRACT, WITH THE AGREEMENT OF THE CONTRACTOR, AT THE CURRENT CONTRACT PRICES.

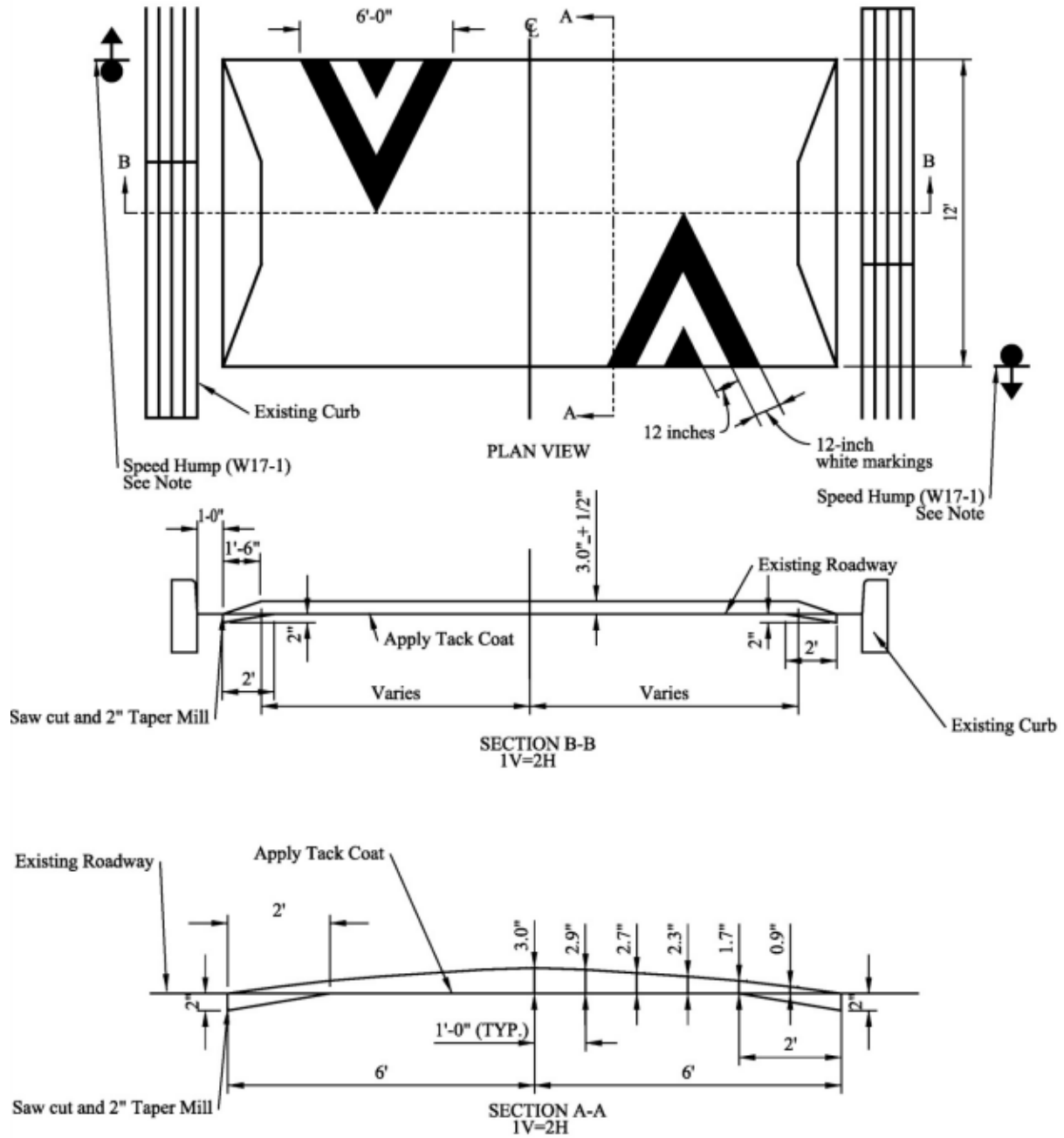
Oct 2025

CANAL

Contract is for various locations throughout New Castle County.

DETAILS SHEET

SPEED HUMP



NOTE:  
 1. ALL SIGNING AND STRIPING SHALL CONFORM TO THE LATEST EDITION OF THE DE MUTCD.

DELAWARE DEPARTMENT OF TRANSPORTATION

CONTRACT NUMBER- T202604901

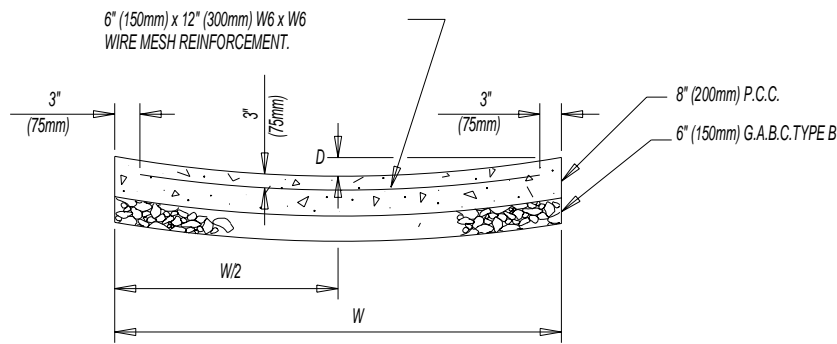
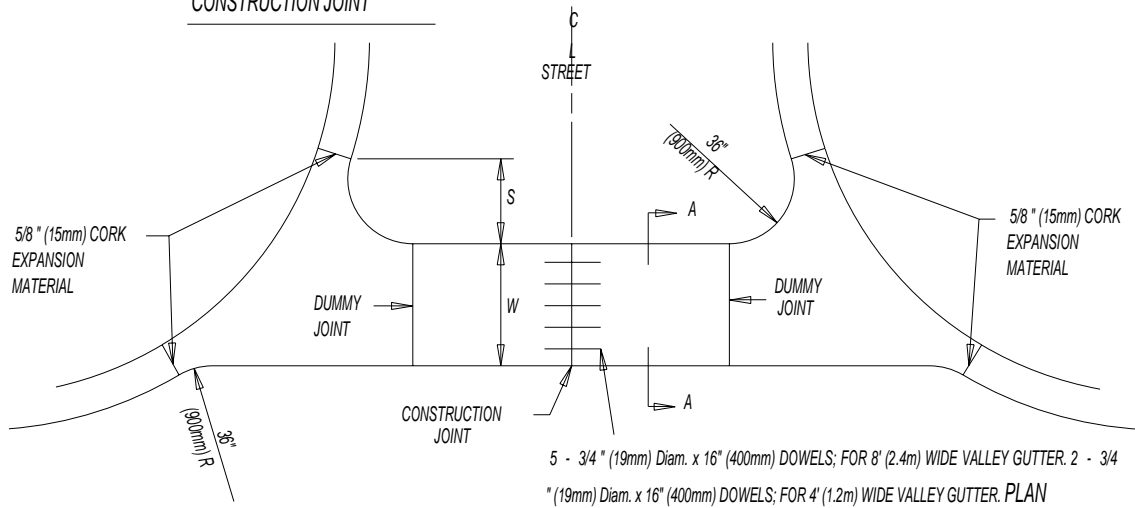
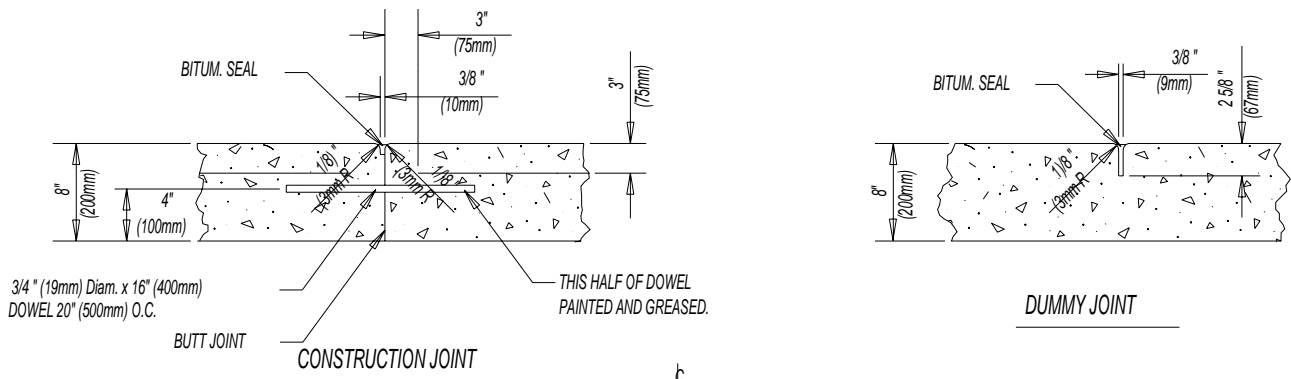
(CAD) PAGE 22 OF 57

CANAL

Contract is for various locations throughout New Castle County.

DETAILS SHEET

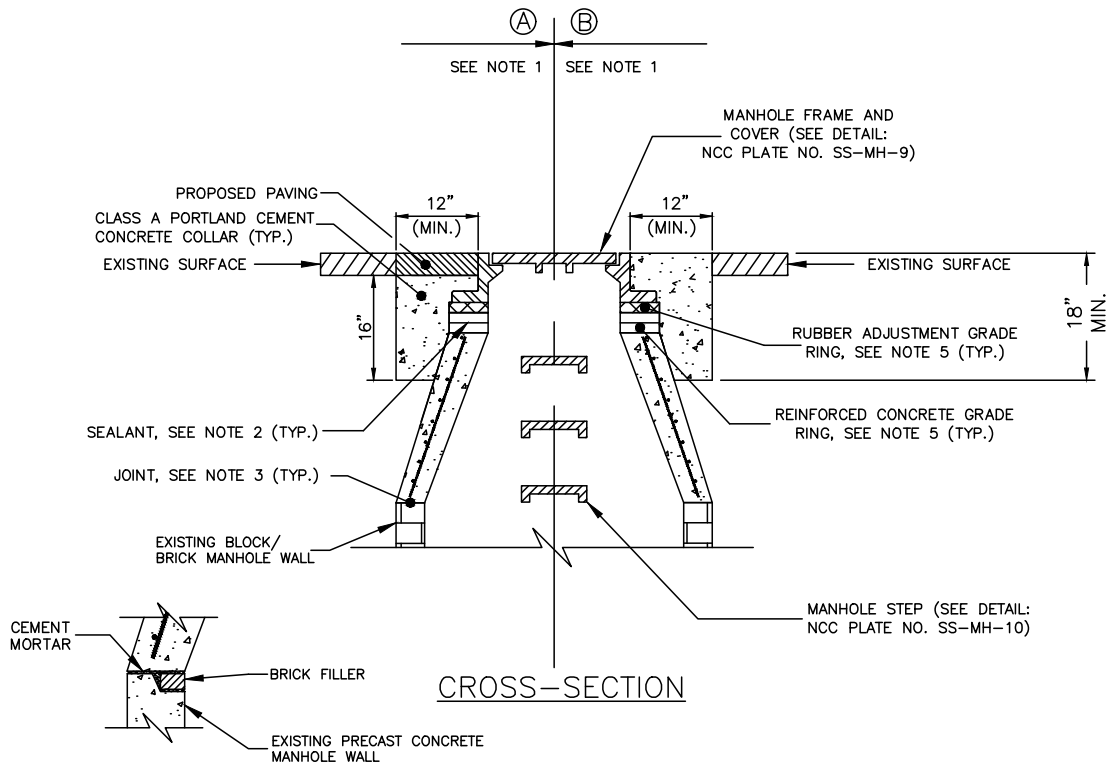
P.C.C. VALLEY GUTTER



WIDTH W	DEPTH D	OFFSET S
8' (2.4m)	3" (75mm)	16" (405mm)
4' (1.2m)	1 1/2" (38mm)	23 1/2" (585mm)

DETAILS SHEET

PAVED AREA MANHOLE CONE SECTION DETAIL (NTS)



CROSS-SECTION OF JOINT AT PRECAST MANHOLE

NOTES:

1. AT THE DISCRETION OF THE CONTRACTOR, EITHER OPTION 'A' OR 'B' MAY BE INSTALLED ACCORDING TO DeIDOT SPECIFICATIONS.
  - (A) CONTRACTOR SHALL PAVE TO TOP OF MANHOLE FRAME TO MATCH EXISTING CONDITIONS PER DeIDOT STANDARD.
  - (B) CONTRACTOR WILL INSTALL SQUARE CONCRETE COLLAR, 12" FROM MANHOLE FRAME, TO TOP OF MANHOLE FRAME PER DeIDOT STANDARD.
2. SEAL EVERY JOINT IN MANHOLE 'CHIMNEY' BETWEEN THE FRAME AND RUBBER GRADE RING, BETWEEN EACH EACH GRADE RING AND BETWEEN GRADE RING AND TAPERED CONE SECTION USING ADHESIVE SEALANT CONFORMING TO ASTM D3498 AND SUITABLE FOR USE WITH MASONRY, RUBBER AND METAL MATERIALS. APPLY IN CONTINUOUS 1/2 INCH BEADS (MIN. TWO BEADS EVERY JOINT).
3. SEAL PRECAST CONE SECTION TO COMPETENT LAYER OF BLOCK OR BRICK USING CEMENT MORTAR. IF EXISTING MANHOLE IS PRE-CAST CONCRETE, SECURE BRICK IN GROOVED JOINT, WITH CEMENT MORTAR PRIOR TO PLACING CONE SECTION.
4. ADJUSTMENT RISERS OF ANY TYPE (I.E. BRICK) MAY NOT BE USED AS A SUBSTITUTE FOR GRADE RINGS.
5. HEIGHT OF RUBBER GRADE RING(S) NOT TO EXCEED 3". COMBINED HEIGHT OF GRADES RINGS NOT TO EXCEED 12" (SEE DETAIL: NCC PLATE NO. SS-MH-7).

This detail is subject to revision. Verify with New Castle County, Public Works, for correctness prior to implementation.

DELAWARE DEPARTMENT OF TRANSPORTATION

CONTRACT NUMBER- T202604901

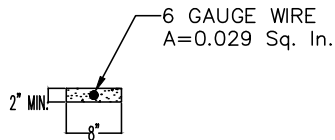
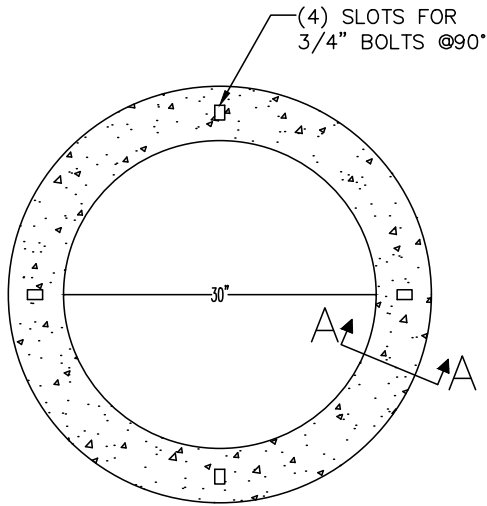
(CAD) PAGE 24 OF 57

CANAL

Contract is for various locations throughout New Castle County.

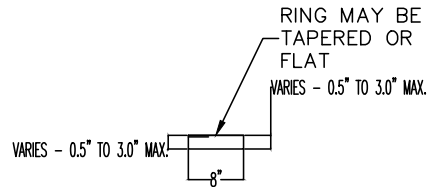
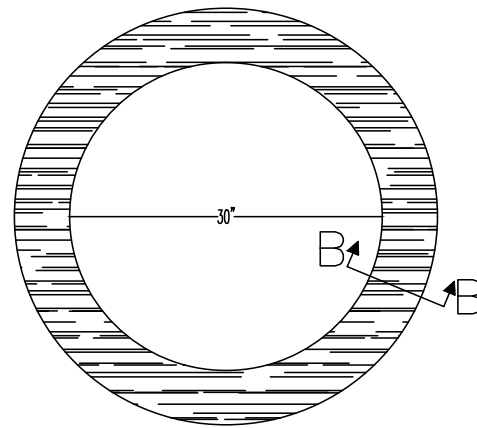
DETAILS SHEET

GRADE RING DETAIL (NTS)



CROSS-SECTION A-A

REINFORCED CONCRETE  
GRADE RING



CROSS-SECTION B-B

RUBBER ADJUSTMENT  
GRADE RING

NOTES:

1. DESIGN MEETS REQUIREMENTS OF A.S.T.M. STANDARD C-478.
2. APPROXIMATE WEIGHT OF ONE REINFORCED CONCRETE GRADE RING:  
24"  $\phi$  - 140 lbs.  
30"  $\phi$  - 165 lbs.

NOTES:

1. SEAL EACH JOINT BETWEEN FRAME, RUBBER GRADE RING AND PRECAST GRADE RINGS USING ADHESIVE SEALANT CONFORMING TO ASTM D3498 AND SUITABLE FOR USE WITH MASONRY, RUBBER AND METAL MATERIALS. APPLY IN CONTINUOUS 1/2 INCH BEADS.
2. UNDER NO CIRCUMSTANCE SHALL A RUBBER GRADE RING BE MODIFIED OR ALTERED IN LIEU OF USING THE APPROPRIATE TAPERED GRADE RING.

This detail is subject to revision. Verify with New Castle County, Public Works, for correctness prior to implementation.

DELAWARE DEPARTMENT OF TRANSPORTATION

CONTRACT T202604901

(CAD) PAGE 25 OF 55

CANAL

SUBDIVISION PAVING, NEW CASTLE COUNTY I, 2026

---

**LOCATION 1 CARRCROFT - CHURCHILL DRIVE FROM MARSH ROAD TO HILLSIDE BOULEVARD**

LENGTH 292.6080 m 960.0000 L.F.

**GENERAL IMPROVEMENTS**

2" MILL AND OVERLAY(CURB WHERE NECESSARY)

**COMMENTS:**

---

**MATERIAL ESTIMATE FOR LOCATION 1**

202000	EXCAVATION AND EMBANKMENT	34.00	C.Y.
211001	REMOVAL OF PORTLAND CEMENT CONCRETE PAVEMENT, CURB AND SIDEWALK	263.00	S.Y.
301001	GABC	18.00	C.Y.
301002	GABC, PATCHING	44.00	C.Y.
401005	SUPERPAVE TYPE C, 9.5 mm, PG 64-22 (CARBONATE STONE)	300.00	TON
401029	SUPERPAVE TYPE C, 9.5 mm, PG 64-22, PATCHING	155.00	TON
401030	SUPERPAVE TYPE B, PG 64-22, PATCHING	53.00	TON
404001	BITUMINOUS CRACK AND JOINT SEALING LESS THAN 3/4-INCH WIDE	230.00	L.F.
602132	ADJUSTING AND REPAIRING EXISTING MANHOLE	3.00	EACH
701019	I.PCC CURB AND GUTTER, TYPE 2	730.00	L.F.
705002	PCC SIDEWALK, 6"	438.00	S.F.
710002	ADJUST WATER VALVE BOXES	3.00	EACH
710370	STEEL CASING PIPE, 4"	20.00	L.F.
760010	PAVEMENT MILLING, BITUMINOUS CONCRETE PAVEMENT	4,700.00	SY-IN
762000	SAW CUTTING, BITUMINOUS CONCRETE	1,113.00	L.F.
762001	SAW CUTTING, CONCRETE, FULL DEPTH	110.00	L.F.
802003	ARROW PANELS TYPE C	3.00	EA-DY
808002	PROVIDE AND MAINTAIN TRUCK MOUNTED ATTENUATOR, TYPE II	3.00	EA-DY
811001	FLAGGER, NEW CASTLE COUNTY	238.00	HOURL
811013	FLAGGER, NEW CASTLE COUNTY, OVERTIME	27.00	HOURL
908001	TOPSOIL	29.00	TON
908016	PERMANENT GRASS SEEDING, SUBDIVISION	175.00	S.Y.
908020	EROSION CONTROL BLANKET MULCH	175.00	S.Y.

**DELAWARE DEPARTMENT OF TRANSPORTATION**

**CONTRACT T202604901**

**(CAD) PAGE 26 OF 55**

**CANAL**

**SUBDIVISION PAVING, NEW CASTLE COUNTY I, 2026**

**LOCATION 2 CARRCROFT CREST - CREST ROAD FROM HEATHER LANE TO LAKEWOOD DRIVE**

LENGTH 411.4800 m 1350.0000 L.F.

**GENERAL IMPROVEMENTS**

2" MILL AND OVERLAY(CURB WHERE NECESSARY)

**COMMENTS:**

ESTIMATE INCLUDES NB LANE OF CREST FROM MARSH TO HEATHER AND ALSO INTERSECTION W/ HEATHER - 2 RAMPS @ BALDWIN; 4 RAMPS @ IVYDALE; 2 RAMPS @ LAKEWOOD

**MATERIAL ESTIMATE FOR LOCATION 2**

202000	EXCAVATION AND EMBANKMENT	57.00	C.Y.
211001	REMOVAL OF PORTLAND CEMENT CONCRETE PAVEMENT, CURB AND SIDEWALK	608.00	S.Y.
301001	GABC	46.00	C.Y.
301002	GABC, PATCHING	97.00	C.Y.
401005	SUPERPAVE TYPE C, 9.5 mm, PG 64-22 (CARBONATE STONE)	810.00	TON
401029	SUPERPAVE TYPE C, 9.5 mm, PG 64-22, PATCHING	318.00	TON
401030	SUPERPAVE TYPE B, PG 64-22, PATCHING	50.00	TON
404001	BITUMINOUS CRACK AND JOINT SEALING LESS THAN 3/4-INCH WIDE	615.00	L.F.
602102	MANHOLE COVER(S)	3.00	EACH
602103	MANHOLE FRAME(S)	3.00	EACH
602130	ADJUSTING AND REPAIRING EXISTING DRAINAGE INLET	3.00	EACH
602132	ADJUSTING AND REPAIRING EXISTING MANHOLE	1.00	EACH
701013	PCC CURB, TYPE 1-8	12.00	L.F.
701019	I.PCC CURB AND GUTTER, TYPE 2	1,520.00	L.F.
701513	PORTLAND CEMENT CONCRETE VALLEY GUTTER, 8"	60.00	S.Y.
705001	PCC SIDEWALK, 4"	400.00	S.F.
705002	PCC SIDEWALK, 6"	912.00	S.F.
705008	PEDESTRIAN CONNECTION, TYPE 1	160.00	S.F.
705009	PEDESTRIAN CONNECTION, TYPE 2, 3, AND/OR 4	1,600.00	S.F.
705013	TRUNCATED DOME DETECTABLE WARNING SURFACE	80.00	S.F.
710002	ADJUST WATER VALVE BOXES	5.00	EACH
710370	STEEL CASING PIPE, 4"	15.00	L.F.
760010	PAVEMENT MILLING, BITUMINOUS CONCRETE PAVEMENT	13,060.00	SY-IN
762000	SAW CUTTING, BITUMINOUS CONCRETE	2,460.00	L.F.
762001	SAW CUTTING, CONCRETE, FULL DEPTH	246.00	L.F.

DELAWARE DEPARTMENT OF TRANSPORTATION

CONTRACT T202604901

(CAD) PAGE 27 OF 55

CANAL

SUBDIVISION PAVING, NEW CASTLE COUNTY I, 2026

---

**LOCATION 2**                      **CARRCROFT CREST - CREST ROAD FROM HEATHER LANE TO LAKEWOOD DRIVE**

LENGTH      411.4800 m                      1350.0000 L.F.

**GENERAL IMPROVEMENTS**

2" MILL AND OVERLAY(CURB WHERE NECESSARY)

**COMMENTS:**

ESTIMATE INCLUDES NB LANE OF CREST FROM MARSH TO HEATHER AND ALSO INTERSECTION W/ HEATHER - 2 RAMPS @ BALDWIN; 4 RAMPS @ IVYDALE; 2 RAMPS @ LAKEWOOD

---

**MATERIAL ESTIMATE FOR LOCATION 2**

811001	FLAGGER, NEW CASTLE COUNTY	651.00	HOUR
811013	FLAGGER, NEW CASTLE COUNTY, OVERTIME	68.00	HOUR
860007	TEMPORARY PAVEMENT STRIPING, LATEX, SYMBOL/LEGEND	50.00	S.F.
862006	PERMANENT PAVEMENT STRIPING, ALKYD-THERMOPLASTIC, SYMBOL/LEGEND	50.00	S.F.
905004	INLET SEDIMENT CONTROL, DRAINAGE INLET	3.00	EACH
908001	TOPSOIL	98.00	TON
908016	PERMANENT GRASS SEEDING, SUBDIVISION	586.00	S.Y.
908020	EROSION CONTROL BLANKET MULCH	586.00	S.Y.

DELAWARE DEPARTMENT OF TRANSPORTATION

CONTRACT T202604901

(CAD) PAGE 28 OF 55

CANAL

SUBDIVISION PAVING, NEW CASTLE COUNTY I, 2026

---

**LOCATION 3** Cragmere - Guest Lane from Duncan Road to End

LENGTH 76.2000 m 250.0000 L.F.

**GENERAL IMPROVEMENTS**

2" MILL AND OVERLAY(CURB WHERE NECESSARY)

COMMENTS:

---

MATERIAL ESTIMATE FOR LOCATION 3

202000	EXCAVATION AND EMBANKMENT	4.00	C.Y.
211001	REMOVAL OF PORTLAND CEMENT CONCRETE PAVEMENT, CURB AND SIDEWALK	36.00	S.Y.
301001	GABC	3.00	C.Y.
301002	GABC, PATCHING	6.00	C.Y.
401005	SUPERPAVE TYPE C, 9.5 mm, PG 64-22 (CARBONATE STONE)	70.00	TON
401029	SUPERPAVE TYPE C, 9.5 mm, PG 64-22, PATCHING	21.00	TON
401030	SUPERPAVE TYPE B, PG 64-22, PATCHING	5.00	TON
404001	BITUMINOUS CRACK AND JOINT SEALING LESS THAN 3/4-INCH WIDE	35.00	L.F.
701019	I.PCC CURB AND GUTTER, TYPE 2	100.00	L.F.
705002	PCC SIDEWALK, 6"	60.00	S.F.
760010	PAVEMENT MILLING, BITUMINOUS CONCRETE PAVEMENT	1,000.00	SY-IN
762000	SAW CUTTING, BITUMINOUS CONCRETE	150.00	L.F.
762001	SAW CUTTING, CONCRETE, FULL DEPTH	15.00	L.F.
811001	FLAGGER, NEW CASTLE COUNTY	38.00	HOUR
811013	FLAGGER, NEW CASTLE COUNTY, OVERTIME	5.00	HOUR
908001	TOPSOIL	4.00	TON
908016	PERMANENT GRASS SEEDING, SUBDIVISION	24.00	S.Y.
908020	EROSION CONTROL BLANKET MULCH	24.00	S.Y.

**DELAWARE DEPARTMENT OF TRANSPORTATION**

**CONTRACT T202604901**

**(CAD) PAGE 29 OF 55**

**CANAL**

SUBDIVISION PAVING, NEW CASTLE COUNTY I, 2026

**LOCATION 4 EDGEMOOR TERRACE - SALISBURY DRIVE FROM SOUTH STUYVESANT DRIVE TO BEDFORD DRIVE**

LENGTH 216.4080 m 710.0000 L.F.

**GENERAL IMPROVEMENTS**

2" MILL AND OVERLAY(CURB WHERE NECESSARY)

**COMMENTS:**

**MATERIAL ESTIMATE FOR LOCATION 4**

202000	EXCAVATION AND EMBANKMENT	13.00	C.Y.
211001	REMOVAL OF PORTLAND CEMENT CONCRETE PAVEMENT, CURB AND SIDEWALK	89.00	S.Y.
301001	GABC	5.00	C.Y.
301002	GABC, PATCHING	11.00	C.Y.
401005	SUPERPAVE TYPE C, 9.5 mm, PG 64-22 (CARBONATE STONE)	280.00	TON
401029	SUPERPAVE TYPE C, 9.5 mm, PG 64-22, PATCHING	67.00	TON
401030	SUPERPAVE TYPE B, PG 64-22, PATCHING	20.00	TON
401506	SPEED HUMP	52.00	L.F.
404001	BITUMINOUS CRACK AND JOINT SEALING LESS THAN 3/4-INCH WIDE	320.00	L.F.
602100	DRAINAGE INLET GRATE(S)	1.00	EACH
602101	DRAINAGE INLET FRAME(S)	1.00	EACH
602130	ADJUSTING AND REPAIRING EXISTING DRAINAGE INLET	1.00	EACH
602132	ADJUSTING AND REPAIRING EXISTING MANHOLE	3.00	EACH
701013	PCC CURB, TYPE 1-8	210.00	L.F.
701019	I.PCC CURB AND GUTTER, TYPE 2	120.00	L.F.
705002	PCC SIDEWALK, 6"	72.00	S.F.
710002	ADJUST WATER VALVE BOXES	2.00	EACH
710370	STEEL CASING PIPE, 4"	20.00	L.F.
760010	PAVEMENT MILLING, BITUMINOUS CONCRETE PAVEMENT	4,460.00	SY-IN
762000	SAW CUTTING, BITUMINOUS CONCRETE	495.00	L.F.
762001	SAW CUTTING, CONCRETE, FULL DEPTH	56.00	L.F.
811001	FLAGGER, NEW CASTLE COUNTY	203.00	HOUR
811013	FLAGGER, NEW CASTLE COUNTY, OVERTIME	22.00	HOUR
905004	INLET SEDIMENT CONTROL, DRAINAGE INLET	1.00	EACH
908001	TOPSOIL	13.00	TON

DELAWARE DEPARTMENT OF TRANSPORTATION

CONTRACT T202604901

(CAD) PAGE 30 OF 55

CANAL

SUBDIVISION PAVING, NEW CASTLE COUNTY I, 2026

---

**LOCATION 4**                      **EDGEMOOR TERRACE - SALISBURY DRIVE FROM SOUTH STUYVESANT  
DRIVE TO BEDFORD DRIVE**

LENGTH      216.4080 m                      710.0000 L.F.

**GENERAL IMPROVEMENTS**

2" MILL AND OVERLAY(CURB WHERE NECESSARY)

**COMMENTS:**

---

**MATERIAL ESTIMATE FOR LOCATION 4**

908016	PERMANENT GRASS SEEDING, SUBDIVISION	79.00	S.Y.
908020	EROSION CONTROL BLANKET MULCH	79.00	S.Y.

**DELAWARE DEPARTMENT OF TRANSPORTATION**

**CONTRACT T202604901**

**(CAD) PAGE 31 OF 55**

**CANAL**

SUBDIVISION PAVING, NEW CASTLE COUNTY I, 2026

**LOCATION 5 EDGEMOOR TERRACE - STUYVESANT DRIVE SOUTH FROM GOVERNOR  
PRINTZ BLVD TO DENNY ROAD**

LENGTH 373.3800 m 1225.0000 L.F.

**GENERAL IMPROVEMENTS**

2" MILL AND OVERLAY(CURB WHERE NECESSARY)

**COMMENTS:**

ESTIMATE INCLUDES INTERSECTION W/ DENNY

**MATERIAL ESTIMATE FOR LOCATION 5**

202000	EXCAVATION AND EMBANKMENT	22.00	C.Y.
211001	REMOVAL OF PORTLAND CEMENT CONCRETE PAVEMENT, CURB AND SIDEWALK	162.00	S.Y.
301001	GABC	11.00	C.Y.
301002	GABC, PATCHING	27.00	C.Y.
401005	SUPERPAVE TYPE C, 9.5 mm, PG 64-22 (CARBONATE STONE)	605.00	TON
401029	SUPERPAVE TYPE C, 9.5 mm, PG 64-22, PATCHING	91.00	TON
401030	SUPERPAVE TYPE B, PG 64-22, PATCHING	40.00	TON
404001	BITUMINOUS CRACK AND JOINT SEALING LESS THAN 3/4-INCH WIDE	400.00	L.F.
602130	ADJUSTING AND REPAIRING EXISTING DRAINAGE INLET	3.00	EACH
602131	ADJUSTING AND REPAIRING EXISTING DOUBLE DRAINAGE INLET	1.00	EACH
602132	ADJUSTING AND REPAIRING EXISTING MANHOLE	2.00	EACH
701019	I.PCC CURB AND GUTTER, TYPE 2	450.00	L.F.
705002	PCC SIDEWALK, 6"	270.00	S.F.
710002	ADJUST WATER VALVE BOXES	6.00	EACH
710370	STEEL CASING PIPE, 4"	25.00	L.F.
760010	PAVEMENT MILLING, BITUMINOUS CONCRETE PAVEMENT	9,680.00	SY-IN
762000	SAW CUTTING, BITUMINOUS CONCRETE	675.00	L.F.
762001	SAW CUTTING, CONCRETE, FULL DEPTH	68.00	L.F.
802003	ARROW PANELS TYPE C	3.00	EA-DY
808002	PROVIDE AND MAINTAIN TRUCK MOUNTED ATTENUATOR, TYPE II	3.00	EA-DY
811001	FLAGGER, NEW CASTLE COUNTY	395.00	HOUR
811013	FLAGGER, NEW CASTLE COUNTY, OVERTIME	43.00	HOUR
846001	PROVIDE AND INSTALL LOOP WIRE 1-CONDUCTOR #14 AWG ENCASED IN 1/4" FLEXIBLE TUBING IN A LOOP SAWCUT	230.00	L.F.
860004	TEMPORARY MARKINGS, LATEX, 4"	200.00	L.F.

DELAWARE DEPARTMENT OF TRANSPORTATION

CONTRACT T202604901

(CAD) PAGE 32 OF 55

CANAL

SUBDIVISION PAVING, NEW CASTLE COUNTY I, 2026

---

**LOCATION 5**                      **EDGEMOOR TERRACE - STUYVESANT DRIVE SOUTH FROM GOVERNOR  
PRINTZ BLVD TO DENNY ROAD**

LENGTH      373.3800 m                      1225.0000 L.F.

**GENERAL IMPROVEMENTS**

2" MILL AND OVERLAY(CURB WHERE NECESSARY)

**COMMENTS:**

ESTIMATE INCLUDES INTERSECTION W/ DENNY

---

**MATERIAL ESTIMATE FOR LOCATION 5**

860007	TEMPORARY PAVEMENT STRIPING, LATEX, SYMBOL/LEGEND	130.00	S.F.
861001	PERMANENT PAVEMENT STRIPING, EPOXY RESIN PAINT, 6"	200.00	L.F.
862006	PERMANENT PAVEMENT STRIPING, ALKYD-THERMOPLASTIC, SYMBOL/LEGEND	130.00	S.F.
905004	INLET SEDIMENT CONTROL, DRAINAGE INLET	5.00	EACH
908001	TOPSOIL	18.00	TON
908016	PERMANENT GRASS SEEDING, SUBDIVISION	108.00	S.Y.
908020	EROSION CONTROL BLANKET MULCH	108.00	S.Y.

**DELAWARE DEPARTMENT OF TRANSPORTATION**

**CONTRACT T202604901**

**(CAD) PAGE 33 OF 55**

**CANAL**

SUBDIVISION PAVING, NEW CASTLE COUNTY I, 2026

**LOCATION 6                      EDGEWOOD HILLS - CHESTNUT AVENUE FROM EDGEWOOD DRIVE TO HILLCREST AVENUE**

LENGTH      239.2680 m                      785.0000 L.F.

**GENERAL IMPROVEMENTS**

2" MILL AND OVERLAY

**COMMENTS:**

ESTIMATE INCLUDES INTERSECTION W/ EDGEWOOD - 2 RAMPS @ HILLCREST

**MATERIAL ESTIMATE FOR LOCATION 6**

202000	EXCAVATION AND EMBANKMENT	4.00	C.Y.
211001	REMOVAL OF PORTLAND CEMENT CONCRETE PAVEMENT, CURB AND SIDEWALK	1.00	S.Y.
301001	GABC	1.00	C.Y.
301002	GABC, PATCHING	1.00	C.Y.
401005	SUPERPAVE TYPE C, 9.5 mm, PG 64-22 (CARBONATE STONE)	225.00	TON
401029	SUPERPAVE TYPE C, 9.5 mm, PG 64-22, PATCHING	2.00	TON
401030	SUPERPAVE TYPE B, PG 64-22, PATCHING	15.00	TON
404001	BITUMINOUS CRACK AND JOINT SEALING LESS THAN 3/4-INCH WIDE	330.00	L.F.
602132	ADJUSTING AND REPAIRING EXISTING MANHOLE	1.00	EACH
701013	PCC CURB, TYPE 1-8	3.00	L.F.
705001	PCC SIDEWALK, 4"	100.00	S.F.
705008	PEDESTRIAN CONNECTION, TYPE 1	40.00	S.F.
705009	PEDESTRIAN CONNECTION, TYPE 2, 3, AND/OR 4	400.00	S.F.
705013	TRUNCATED DOME DETECTABLE WARNING SURFACE	20.00	S.F.
710370	STEEL CASING PIPE, 4"	2.00	L.F.
760010	PAVEMENT MILLING, BITUMINOUS CONCRETE PAVEMENT	3,560.00	SY-IN
762000	SAW CUTTING, BITUMINOUS CONCRETE	240.00	L.F.
811001	FLAGGER, NEW CASTLE COUNTY	98.00	HOURLY
811013	FLAGGER, NEW CASTLE COUNTY, OVERTIME	14.00	HOURLY
908001	TOPSOIL	8.00	TON
908016	PERMANENT GRASS SEEDING, SUBDIVISION	48.00	S.Y.
908020	EROSION CONTROL BLANKET MULCH	48.00	S.Y.

DELAWARE DEPARTMENT OF TRANSPORTATION

CONTRACT T202604901

(CAD) PAGE 34 OF 55

CANAL

SUBDIVISION PAVING, NEW CASTLE COUNTY I, 2026

---

LOCATION 7 GORDON HEIGHTS - BEECHWOOD ROAD FROM LORE AVENUE TO END

LENGTH 224.0280 m 735.0000 L.F.

GENERAL IMPROVEMENTS

2" MILL AND OVERLAY(CURB WHERE NECESSARY)

COMMENTS:

ESTIMATES DOES NOT INCLUDE INTERSECTION W/ HAINES - SKIP OVER

---

MATERIAL ESTIMATE FOR LOCATION 7

202000	EXCAVATION AND EMBANKMENT	12.00	C.Y.
211001	REMOVAL OF PORTLAND CEMENT CONCRETE PAVEMENT, CURB AND SIDEWALK	72.00	S.Y.
301001	GABC	5.00	C.Y.
301002	GABC, PATCHING	12.00	C.Y.
401005	SUPERPAVE TYPE C, 9.5 mm, PG 64-22 (CARBONATE STONE)	230.00	TON
401029	SUPERPAVE TYPE C, 9.5 mm, PG 64-22, PATCHING	41.00	TON
401030	SUPERPAVE TYPE B, PG 64-22, PATCHING	25.00	TON
404001	BITUMINOUS CRACK AND JOINT SEALING LESS THAN 3/4-INCH WIDE	135.00	L.F.
602130	ADJUSTING AND REPAIRING EXISTING DRAINAGE INLET	2.00	EACH
602132	ADJUSTING AND REPAIRING EXISTING MANHOLE	2.00	EACH
701019	I.PCC CURB AND GUTTER, TYPE 2	200.00	L.F.
705002	PCC SIDEWALK, 6"	120.00	S.F.
710002	ADJUST WATER VALVE BOXES	1.00	EACH
710370	STEEL CASING PIPE, 4"	50.00	L.F.
760010	PAVEMENT MILLING, BITUMINOUS CONCRETE PAVEMENT	3,600.00	SY-IN
762000	SAW CUTTING, BITUMINOUS CONCRETE	300.00	L.F.
762001	SAW CUTTING, CONCRETE, FULL DEPTH	30.00	L.F.
811001	FLAGGER, NEW CASTLE COUNTY	136.00	HOUR
811013	FLAGGER, NEW CASTLE COUNTY, OVERTIME	17.00	HOUR
905004	INLET SEDIMENT CONTROL, DRAINAGE INLET	2.00	EACH
908001	TOPSOIL	8.00	TON
908016	PERMANENT GRASS SEEDING, SUBDIVISION	48.00	S.Y.
908020	EROSION CONTROL BLANKET MULCH	48.00	S.Y.

DELAWARE DEPARTMENT OF TRANSPORTATION

CONTRACT T202604901

(CAD) PAGE 35 OF 55

CANAL

SUBDIVISION PAVING, NEW CASTLE COUNTY I, 2026

---

**LOCATION 8**                      **GORDON HEIGHTS - EDGEWOOD TERRACE FROM EUCLID AVENUE TO MELROSE AVENUE**

LENGTH      100.5840 m                      330.0000 L.F.

**GENERAL IMPROVEMENTS**  
2" MILL AND OVERLAY

**COMMENTS:**

ESTIMATE INCLUDES INT. W/ MELROSE

---

**MATERIAL ESTIMATE FOR LOCATION 8**

202000	EXCAVATION AND EMBANKMENT	2.00	C.Y.
401005	SUPERPAVE TYPE C, 9.5 mm, PG 64-22 (CARBONATE STONE)	95.00	TON
401029	SUPERPAVE TYPE C, 9.5 mm, PG 64-22, PATCHING	1.00	TON
401030	SUPERPAVE TYPE B, PG 64-22, PATCHING	10.00	TON
404001	BITUMINOUS CRACK AND JOINT SEALING LESS THAN 3/4-INCH WIDE	170.00	L.F.
602132	ADJUSTING AND REPAIRING EXISTING MANHOLE	1.00	EACH
710002	ADJUST WATER VALVE BOXES	2.00	EACH
760010	PAVEMENT MILLING, BITUMINOUS CONCRETE PAVEMENT	1,520.00	SY-IN
762000	SAW CUTTING, BITUMINOUS CONCRETE	60.00	L.F.
762001	SAW CUTTING, CONCRETE, FULL DEPTH	20.00	L.F.
811001	FLAGGER, NEW CASTLE COUNTY	41.00	HOUR
811013	FLAGGER, NEW CASTLE COUNTY, OVERTIME	9.00	HOUR

DELAWARE DEPARTMENT OF TRANSPORTATION

CONTRACT T202604901

(CAD) PAGE 36 OF 55

CANAL

SUBDIVISION PAVING, NEW CASTLE COUNTY I, 2026

---

LOCATION 9 GORDON HEIGHTS - GRANDVIEW AVENUE FROM RIVER ROAD TO END

LENGTH 297.1800 m 975.0000 L.F.

GENERAL IMPROVEMENTS

2" MILL AND OVERLAY(CURB WHERE NECESSARY)

COMMENTS:

---

MATERIAL ESTIMATE FOR LOCATION 9

202000	EXCAVATION AND EMBANKMENT	7.00	C.Y.
211001	REMOVAL OF PORTLAND CEMENT CONCRETE PAVEMENT, CURB AND SIDEWALK	36.00	S.Y.
301001	GABC	3.00	C.Y.
301002	GABC, PATCHING	6.00	C.Y.
401005	SUPERPAVE TYPE C, 9.5 mm, PG 64-22 (CARBONATE STONE)	300.00	TON
401029	SUPERPAVE TYPE C, 9.5 mm, PG 64-22, PATCHING	21.00	TON
401030	SUPERPAVE TYPE B, PG 64-22, PATCHING	20.00	TON
404001	BITUMINOUS CRACK AND JOINT SEALING LESS THAN 3/4-INCH WIDE	310.00	L.F.
602130	ADJUSTING AND REPAIRING EXISTING DRAINAGE INLET	11.00	EACH
602132	ADJUSTING AND REPAIRING EXISTING MANHOLE	4.00	EACH
701019	I.PCC CURB AND GUTTER, TYPE 2	100.00	L.F.
705002	PCC SIDEWALK, 6"	60.00	S.F.
710002	ADJUST WATER VALVE BOXES	5.00	EACH
760010	PAVEMENT MILLING, BITUMINOUS CONCRETE PAVEMENT	4,800.00	SY-IN
762000	SAW CUTTING, BITUMINOUS CONCRETE	150.00	L.F.
762001	SAW CUTTING, CONCRETE, FULL DEPTH	15.00	L.F.
811001	FLAGGER, NEW CASTLE COUNTY	228.00	HOURLY
811013	FLAGGER, NEW CASTLE COUNTY, OVERTIME	26.00	HOURLY
905004	INLET SEDIMENT CONTROL, DRAINAGE INLET	11.00	EACH
908001	TOPSOIL	4.00	TON
908016	PERMANENT GRASS SEEDING, SUBDIVISION	24.00	S.Y.
908020	EROSION CONTROL BLANKET MULCH	24.00	S.Y.

**DELAWARE DEPARTMENT OF TRANSPORTATION**

**CONTRACT T202604901**

**(CAD) PAGE 37 OF 55**

**CANAL**

**SUBDIVISION PAVING, NEW CASTLE COUNTY I, 2026**

**LOCATION 10 GRAYLYN CREST - DORSET ROAD FROM MATWOOD ROAD TO KNOWLES ROAD**

LENGTH 329.1840 m 1080.0000 L.F.

**GENERAL IMPROVEMENTS**

2" MILL AND OVERLAY(CURB WHERE NECESSARY)

**COMMENTS:**

2 RAMPS @ MATWOOD; 2 RAMPS @ KNOWLES

**MATERIAL ESTIMATE FOR LOCATION 10**

202000	EXCAVATION AND EMBANKMENT	36.00	C.Y.
211001	REMOVAL OF PORTLAND CEMENT CONCRETE PAVEMENT, CURB AND SIDEWALK	361.00	S.Y.
301001	GABC	26.00	C.Y.
301002	GABC, PATCHING	61.00	C.Y.
401005	SUPERPAVE TYPE C, 9.5 mm, PG 64-22 (CARBONATE STONE)	330.00	TON
401029	SUPERPAVE TYPE C, 9.5 mm, PG 64-22, PATCHING	202.00	TON
401030	SUPERPAVE TYPE B, PG 64-22, PATCHING	30.00	TON
404001	BITUMINOUS CRACK AND JOINT SEALING LESS THAN 3/4-INCH WIDE	150.00	L.F.
701013	PCC CURB, TYPE 1-8	6.00	L.F.
701019	I.PCC CURB AND GUTTER, TYPE 2	1,000.00	L.F.
705001	PCC SIDEWALK, 4"	200.00	S.F.
705002	PCC SIDEWALK, 6"	600.00	S.F.
705008	PEDESTRIAN CONNECTION, TYPE 1	80.00	S.F.
705009	PEDESTRIAN CONNECTION, TYPE 2, 3, AND/OR 4	800.00	S.F.
705013	TRUNCATED DOME DETECTABLE WARNING SURFACE	40.00	S.F.
760010	PAVEMENT MILLING, BITUMINOUS CONCRETE PAVEMENT	5,280.00	SY-IN
762000	SAW CUTTING, BITUMINOUS CONCRETE	1,500.00	L.F.
762001	SAW CUTTING, CONCRETE, FULL DEPTH	150.00	L.F.
811001	FLAGGER, NEW CASTLE COUNTY	305.00	HOUR
811013	FLAGGER, NEW CASTLE COUNTY, OVERTIME	30.00	HOUR
908001	TOPSOIL	56.00	TON
908016	PERMANENT GRASS SEEDING, SUBDIVISION	336.00	S.Y.
908020	EROSION CONTROL BLANKET MULCH	336.00	S.Y.

**DELAWARE DEPARTMENT OF TRANSPORTATION**

**CONTRACT T202604901**

**(CAD) PAGE 38 OF 55**

**CANAL**

SUBDIVISION PAVING, NEW CASTLE COUNTY I, 2026

**LOCATION 11 GRAYLYN CREST - FAUN ROAD FROM SILVERSIDE ROAD TO GRAYWELL ROAD**

LENGTH 1005.8400 m 3300.0000 L.F.

**GENERAL IMPROVEMENTS**

2" MILL AND OVERLAY(CURB WHERE NECESSARY)

**COMMENTS:**

ESTIMATE INCLUDES INTERSECTION W/ GRAYWELL - 6 RAMPS @ GRAYWELL; 4 RAMPS @ PAN; 4 RAMPS @ CRESTOVER; 2 RAMPS @ PARK

**MATERIAL ESTIMATE FOR LOCATION 11**

202000	EXCAVATION AND EMBANKMENT	144.00	C.Y.
211001	REMOVAL OF PORTLAND CEMENT CONCRETE PAVEMENT, CURB AND SIDEWALK	1,178.00	S.Y.
301001	GABC	88.00	C.Y.
301002	GABC, PATCHING	189.00	C.Y.
401005	SUPERPAVE TYPE C, 9.5 mm, PG 64-22 (CARBONATE STONE)	1,170.00	TON
401029	SUPERPAVE TYPE C, 9.5 mm, PG 64-22, PATCHING	621.00	TON
401030	SUPERPAVE TYPE B, PG 64-22, PATCHING	250.00	TON
401506	SPEED HUMP	152.00	L.F.
404001	BITUMINOUS CRACK AND JOINT SEALING LESS THAN 3/4-INCH WIDE	1,325.00	L.F.
602102	MANHOLE COVER(S)	1.00	EACH
602103	MANHOLE FRAME(S)	1.00	EACH
602130	ADJUSTING AND REPAIRING EXISTING DRAINAGE INLET	10.00	EACH
602131	ADJUSTING AND REPAIRING EXISTING DOUBLE DRAINAGE INLET	2.00	EACH
602132	ADJUSTING AND REPAIRING EXISTING MANHOLE	17.00	EACH
701013	PCC CURB, TYPE 1-8	24.00	L.F.
701019	I.PCC CURB AND GUTTER, TYPE 2	3,000.00	L.F.
701513	PORTLAND CEMENT CONCRETE VALLEY GUTTER, 8"	96.00	S.Y.
705001	PCC SIDEWALK, 4"	800.00	S.F.
705002	PCC SIDEWALK, 6"	1,800.00	S.F.
705008	PEDESTRIAN CONNECTION, TYPE 1	320.00	S.F.
705009	PEDESTRIAN CONNECTION, TYPE 2, 3, AND/OR 4	3,200.00	S.F.
705013	TRUNCATED DOME DETECTABLE WARNING SURFACE	160.00	S.F.
710002	ADJUST WATER VALVE BOXES	5.00	EACH
710370	STEEL CASING PIPE, 4"	80.00	L.F.
760010	PAVEMENT MILLING, BITUMINOUS CONCRETE PAVEMENT	18,720.00	SY-IN

DELAWARE DEPARTMENT OF TRANSPORTATION

CONTRACT T202604901

(CAD) PAGE 39 OF 55

CANAL

SUBDIVISION PAVING, NEW CASTLE COUNTY I, 2026

---

LOCATION 11 GRAYLYN CREST - FAUN ROAD FROM SILVERSIDE ROAD TO GRAYWELL ROAD

LENGTH 1005.8400 m 3300.0000 L.F.

GENERAL IMPROVEMENTS

2" MILL AND OVERLAY(CURB WHERE NECESSARY)

COMMENTS:

ESTIMATE INCLUDES INTERSECTION W/ GRAYWELL - 6 RAMPS @ GRAYWELL; 4 RAMPS @ PAN; 4 RAMPS @ CRESTOVER; 2 RAMPS @ PARK

---

MATERIAL ESTIMATE FOR LOCATION 11

762000	SAW CUTTING, BITUMINOUS CONCRETE	4,788.00	L.F.
762001	SAW CUTTING, CONCRETE, FULL DEPTH	479.00	L.F.
802003	ARROW PANELS TYPE C	3.00	EA-DY
808002	PROVIDE AND MAINTAIN TRUCK MOUNTED ATTENUATOR, TYPE II	3.00	EA-DY
811001	FLAGGER, NEW CASTLE COUNTY	1,361.00	HOURL
811013	FLAGGER, NEW CASTLE COUNTY, OVERTIME	142.00	HOURL
819003	INSTALL OR REMOVE TRAFFIC SIGNS	1.00	EACH
846001	PROVIDE AND INSTALL LOOP WIRE 1-CONDUCTOR #14 AWG ENCASED IN 1/4" FLEXIBLE TUBING IN A LOOP SAWCUT	115.00	L.F.
860004	TEMPORARY MARKINGS, LATEX, 4"	100.00	L.F.
860007	TEMPORARY PAVEMENT STRIPING, LATEX, SYMBOL/LEGEND	33.00	S.F.
861001	PERMANENT PAVEMENT STRIPING, EPOXY RESIN PAINT, 6"	100.00	L.F.
862006	PERMANENT PAVEMENT STRIPING, ALKYD-THERMOPLASTIC, SYMBOL/LEGEND	33.00	S.F.
905004	INLET SEDIMENT CONTROL, DRAINAGE INLET	14.00	EACH
908001	TOPSOIL	192.00	TON
908016	PERMANENT GRASS SEEDING, SUBDIVISION	1,150.00	S.Y.
908020	EROSION CONTROL BLANKET MULCH	1,150.00	S.Y.

**DELAWARE DEPARTMENT OF TRANSPORTATION**

**CONTRACT T202604901**

**(CAD) PAGE 40 OF 55**

**CANAL**

**SUBDIVISION PAVING, NEW CASTLE COUNTY I, 2026**

**LOCATION 12 GRAYLYN CREST - LARCHWOOD ROAD FROM LONGCOME DRIVE TO HARWYN ROAD**

LENGTH 298.7040 m 980.0000 L.F.

**GENERAL IMPROVEMENTS**

2" MILL AND OVERLAY(CURB WHERE NECESSARY)

**COMMENTS:**

2 RAMPS @ LONGCOME; 2 RAMPS @ HARWYN

**MATERIAL ESTIMATE FOR LOCATION 12**

202000	EXCAVATION AND EMBANKMENT	29.00	C.Y.
211001	REMOVAL OF PORTLAND CEMENT CONCRETE PAVEMENT, CURB AND SIDEWALK	307.00	S.Y.
301001	GABC	22.00	C.Y.
301002	GABC, PATCHING	52.00	C.Y.
401005	SUPERPAVE TYPE C, 9.5 mm, PG 64-22 (CARBONATE STONE)	300.00	TON
401029	SUPERPAVE TYPE C, 9.5 mm, PG 64-22, PATCHING	172.00	TON
401030	SUPERPAVE TYPE B, PG 64-22, PATCHING	20.00	TON
404001	BITUMINOUS CRACK AND JOINT SEALING LESS THAN 3/4-INCH WIDE	200.00	L.F.
602130	ADJUSTING AND REPAIRING EXISTING DRAINAGE INLET	1.00	EACH
602132	ADJUSTING AND REPAIRING EXISTING MANHOLE	3.00	EACH
701013	PCC CURB, TYPE 1-8	6.00	L.F.
701019	I.PCC CURB AND GUTTER, TYPE 2	850.00	L.F.
705001	PCC SIDEWALK, 4"	200.00	S.F.
705002	PCC SIDEWALK, 6"	510.00	S.F.
705008	PEDESTRIAN CONNECTION, TYPE 1	80.00	S.F.
705009	PEDESTRIAN CONNECTION, TYPE 2, 3, AND/OR 4	800.00	S.F.
705013	TRUNCATED DOME DETECTABLE WARNING SURFACE	40.00	S.F.
710002	ADJUST WATER VALVE BOXES	1.00	EACH
710370	STEEL CASING PIPE, 4"	30.00	L.F.
760010	PAVEMENT MILLING, BITUMINOUS CONCRETE PAVEMENT	4,800.00	SY-IN
762000	SAW CUTTING, BITUMINOUS CONCRETE	1,275.00	L.F.
762001	SAW CUTTING, CONCRETE, FULL DEPTH	128.00	L.F.
811001	FLAGGER, NEW CASTLE COUNTY	290.00	HOURLY
811013	FLAGGER, NEW CASTLE COUNTY, OVERTIME	32.00	HOURLY
905004	INLET SEDIMENT CONTROL, DRAINAGE INLET	1.00	EACH

DELAWARE DEPARTMENT OF TRANSPORTATION

CONTRACT T202604901

(CAD) PAGE 41 OF 55

CANAL

SUBDIVISION PAVING, NEW CASTLE COUNTY I, 2026

---

LOCATION 12 GRAYLYN CREST - LARCHWOOD ROAD FROM LONGCOME DRIVE TO HARWYN ROAD

LENGTH 298.7040 m 980.0000 L.F.

**GENERAL IMPROVEMENTS**

2" MILL AND OVERLAY(CURB WHERE NECESSARY)

**COMMENTS:**

2 RAMPS @ LONGCOME; 2 RAMPS @ HARWYN

---

**MATERIAL ESTIMATE FOR LOCATION 12**

908001	TOPSOIL	50.00	TON
908016	PERMANENT GRASS SEEDING, SUBDIVISION	300.00	S.Y.
908020	EROSION CONTROL BLANKET MULCH	300.00	S.Y.

**DELAWARE DEPARTMENT OF TRANSPORTATION**

**CONTRACT T202604901**

**(CAD) PAGE 42 OF 55**

**CANAL**

SUBDIVISION PAVING, NEW CASTLE COUNTY I, 2026

**LOCATION 13 GRAYLYN CREST - LONGCOME DRIVE FROM KNOWLES ROAD TO LARCHWOOD ROAD**

LENGTH 420.6240 m 1380.0000 L.F.

**GENERAL IMPROVEMENTS**

2" MILL AND OVERLAY(CURB WHERE NECESSARY)

**COMMENTS:**

ESTIMATE INCLUDES INTERSECTION W/ LARCHWOOD - 4 RAMPS @ MATWOOD; 4 RAMPS @ LARCHWOOD

**MATERIAL ESTIMATE FOR LOCATION 13**

202000	EXCAVATION AND EMBANKMENT	34.00	C.Y.
211001	REMOVAL OF PORTLAND CEMENT CONCRETE PAVEMENT, CURB AND SIDEWALK	325.00	S.Y.
301001	GABC	24.00	C.Y.
301002	GABC, PATCHING	55.00	C.Y.
401005	SUPERPAVE TYPE C, 9.5 mm, PG 64-22 (CARBONATE STONE)	585.00	TON
401029	SUPERPAVE TYPE C, 9.5 mm, PG 64-22, PATCHING	182.00	TON
401030	SUPERPAVE TYPE B, PG 64-22, PATCHING	35.00	TON
401506	SPEED HUMP	32.00	L.F.
404001	BITUMINOUS CRACK AND JOINT SEALING LESS THAN 3/4-INCH WIDE	480.00	L.F.
602130	ADJUSTING AND REPAIRING EXISTING DRAINAGE INLET	2.00	EACH
602132	ADJUSTING AND REPAIRING EXISTING MANHOLE	3.00	EACH
701013	PCC CURB, TYPE 1-8	12.00	L.F.
701019	I.PCC CURB AND GUTTER, TYPE 2	900.00	L.F.
705001	PCC SIDEWALK, 4"	400.00	S.F.
705002	PCC SIDEWALK, 6"	540.00	S.F.
705008	PEDESTRIAN CONNECTION, TYPE 1	160.00	S.F.
705009	PEDESTRIAN CONNECTION, TYPE 2, 3, AND/OR 4	1,600.00	S.F.
705013	TRUNCATED DOME DETECTABLE WARNING SURFACE	80.00	S.F.
710370	STEEL CASING PIPE, 4"	40.00	L.F.
760010	PAVEMENT MILLING, BITUMINOUS CONCRETE PAVEMENT	9,360.00	SY-IN
762000	SAW CUTTING, BITUMINOUS CONCRETE	1,350.00	L.F.
762001	SAW CUTTING, CONCRETE, FULL DEPTH	135.00	L.F.
811001	FLAGGER, NEW CASTLE COUNTY	450.00	HOUR
811013	FLAGGER, NEW CASTLE COUNTY, OVERTIME	45.00	HOUR
905004	INLET SEDIMENT CONTROL, DRAINAGE INLET	2.00	EACH

DELAWARE DEPARTMENT OF TRANSPORTATION

CONTRACT T202604901

(CAD) PAGE 43 OF 55

CANAL

SUBDIVISION PAVING, NEW CASTLE COUNTY I, 2026

---

LOCATION 13 GRAYLYN CREST - LONGCOME DRIVE FROM KNOWLES ROAD TO  
LARCHWOOD ROAD

LENGTH 420.6240 m 1380.0000 L.F.

**GENERAL IMPROVEMENTS**

2" MILL AND OVERLAY(CURB WHERE NECESSARY)

**COMMENTS:**

ESTIMATE INCLUDES INTERSECTION W/ LARCHWOOD - 4 RAMPS @ MATWOOD; 4 RAMPS  
@ LARCHWOOD

---

**MATERIAL ESTIMATE FOR LOCATION 13**

908001	TOPSOIL	68.00	TON
908016	PERMANENT GRASS SEEDING, SUBDIVISION	408.00	S.Y.
908020	EROSION CONTROL BLANKET MULCH	408.00	S.Y.

**DELAWARE DEPARTMENT OF TRANSPORTATION**

**CONTRACT T202604901**

**(CAD) PAGE 44 OF 55**

**CANAL**

SUBDIVISION PAVING, NEW CASTLE COUNTY I, 2026

**LOCATION 14 HILLCREST - SPRINGHILL AVENUE FROM LORE AVENUE TO HILLCREST AVENUE**

LENGTH 222.5040 m 730.0000 L.F.

**GENERAL IMPROVEMENTS**

2" MILL AND OVERLAY(CURB WHERE NECESSARY)

**COMMENTS:**

2 RAMPS @ HILLCREST

**MATERIAL ESTIMATE FOR LOCATION 14**

202000	EXCAVATION AND EMBANKMENT	10.00	C.Y.
211001	REMOVAL OF PORTLAND CEMENT CONCRETE PAVEMENT, CURB AND SIDEWALK	34.00	S.Y.
301001	GABC	3.00	C.Y.
301002	GABC, PATCHING	6.00	C.Y.
401005	SUPERPAVE TYPE C, 9.5 mm, PG 64-22 (CARBONATE STONE)	225.00	TON
401029	SUPERPAVE TYPE C, 9.5 mm, PG 64-22, PATCHING	19.00	TON
401030	SUPERPAVE TYPE B, PG 64-22, PATCHING	30.00	TON
404001	BITUMINOUS CRACK AND JOINT SEALING LESS THAN 3/4-INCH WIDE	150.00	L.F.
602130	ADJUSTING AND REPAIRING EXISTING DRAINAGE INLET	9.00	EACH
602132	ADJUSTING AND REPAIRING EXISTING MANHOLE	4.00	EACH
701019	I.PCC CURB AND GUTTER, TYPE 2	70.00	L.F.
701023	I.PCC CURB AND GUTTER, TYPE 3-8	20.00	L.F.
705002	PCC SIDEWALK, 6"	54.00	S.F.
710002	ADJUST WATER VALVE BOXES	2.00	EACH
760010	PAVEMENT MILLING, BITUMINOUS CONCRETE PAVEMENT	3,580.00	SY-IN
762000	SAW CUTTING, BITUMINOUS CONCRETE	135.00	L.F.
762001	SAW CUTTING, CONCRETE, FULL DEPTH	13.00	L.F.
802003	ARROW PANELS TYPE C	3.00	EA-DY
808002	PROVIDE AND MAINTAIN TRUCK MOUNTED ATTENUATOR, TYPE II	3.00	EA-DY
811001	FLAGGER, NEW CASTLE COUNTY	182.00	HOUR
811013	FLAGGER, NEW CASTLE COUNTY, OVERTIME	22.00	HOUR
905004	INLET SEDIMENT CONTROL, DRAINAGE INLET	9.00	EACH
908001	TOPSOIL	4.00	TON
908016	PERMANENT GRASS SEEDING, SUBDIVISION	22.00	S.Y.
908020	EROSION CONTROL BLANKET MULCH	22.00	S.Y.

**DELAWARE DEPARTMENT OF TRANSPORTATION**

**CONTRACT T202604901**

**(CAD) PAGE 45 OF 55**

**CANAL**

SUBDIVISION PAVING, NEW CASTLE COUNTY I, 2026

**LOCATION 15 NORTH HILLS - HANOVER ROAD FROM WOODLAND AVENUE TO WASHINGTON STREET**

LENGTH 345.9480 m 1135.0000 L.F.

**GENERAL IMPROVEMENTS**

2" MILL AND OVERLAY(CURB WHERE NECESSARY)

**COMMENTS:**

**MATERIAL ESTIMATE FOR LOCATION 15**

202000	EXCAVATION AND EMBANKMENT	28.00	C.Y.
211001	REMOVAL OF PORTLAND CEMENT CONCRETE PAVEMENT, CURB AND SIDEWALK	284.00	S.Y.
301001	GABC	20.00	C.Y.
301002	GABC, PATCHING	47.00	C.Y.
401005	SUPERPAVE TYPE C, 9.5 mm, PG 64-22 (CARBONATE STONE)	350.00	TON
401029	SUPERPAVE TYPE C, 9.5 mm, PG 64-22, PATCHING	159.00	TON
401030	SUPERPAVE TYPE B, PG 64-22, PATCHING	25.00	TON
404001	BITUMINOUS CRACK AND JOINT SEALING LESS THAN 3/4-INCH WIDE	270.00	L.F.
602100	DRAINAGE INLET GRATE(S)	4.00	EACH
602101	DRAINAGE INLET FRAME(S)	4.00	EACH
602130	ADJUSTING AND REPAIRING EXISTING DRAINAGE INLET	6.00	EACH
602132	ADJUSTING AND REPAIRING EXISTING MANHOLE	6.00	EACH
701019	I.PCC CURB AND GUTTER, TYPE 2	790.00	L.F.
705002	PCC SIDEWALK, 6"	474.00	S.F.
710002	ADJUST WATER VALVE BOXES	4.00	EACH
760010	PAVEMENT MILLING, BITUMINOUS CONCRETE PAVEMENT	6,000.00	SY-IN
762000	SAW CUTTING, BITUMINOUS CONCRETE	1,185.00	L.F.
762001	SAW CUTTING, CONCRETE, FULL DEPTH	119.00	L.F.
802003	ARROW PANELS TYPE C	3.00	EA-DY
808002	PROVIDE AND MAINTAIN TRUCK MOUNTED ATTENUATOR, TYPE II	3.00	EA-DY
811001	FLAGGER, NEW CASTLE COUNTY	325.00	HOUR
811013	FLAGGER, NEW CASTLE COUNTY, OVERTIME	36.00	HOUR
905004	INLET SEDIMENT CONTROL, DRAINAGE INLET	6.00	EACH
908001	TOPSOIL	32.00	TON
908016	PERMANENT GRASS SEEDING, SUBDIVISION	190.00	S.Y.

**DELAWARE DEPARTMENT OF TRANSPORTATION**

**CONTRACT T202604901**

**(CAD) PAGE 46 OF 55**

**CANAL**

**SUBDIVISION PAVING, NEW CASTLE COUNTY I, 2026**

---

**LOCATION 15 NORTH HILLS - HANOVER ROAD FROM WOODLAND AVENUE TO  
WASHINGTON STREET**

**LENGTH 345.9480 m 1135.0000 L.F.**

**GENERAL IMPROVEMENTS**

**2" MILL AND OVERLAY(CURB WHERE NECESSARY)**

**COMMENTS:**

---

**MATERIAL ESTIMATE FOR LOCATION 15**

**908020**

**EROSION CONTROL BLANKET MULCH**

**190.00 S.Y.**

DELAWARE DEPARTMENT OF TRANSPORTATION

CONTRACT T202604901

(CAD) PAGE 47 OF 55

CANAL

SUBDIVISION PAVING, NEW CASTLE COUNTY I, 2026

---

LOCATION 16 NORTH HILLS - NORTHSIDE DRIVE FROM WASHINGTON STREET EXT. TO  
END

LENGTH 259.0800 m 850.0000 L.F.

GENERAL IMPROVEMENTS

2" MILL AND OVERLAY(CURB WHERE NECESSARY)

COMMENTS:

---

MATERIAL ESTIMATE FOR LOCATION 16

202000	EXCAVATION AND EMBANKMENT	5.00	C.Y.
211001	REMOVAL OF PORTLAND CEMENT CONCRETE PAVEMENT, CURB AND SIDEWALK	9.00	S.Y.
301001	GABC	1.00	C.Y.
301002	GABC, PATCHING	2.00	C.Y.
401005	SUPERPAVE TYPE C, 9.5 mm, PG 64-22 (CARBONATE STONE)	290.00	TON
401029	SUPERPAVE TYPE C, 9.5 mm, PG 64-22, PATCHING	5.00	TON
401030	SUPERPAVE TYPE B, PG 64-22, PATCHING	20.00	TON
404001	BITUMINOUS CRACK AND JOINT SEALING LESS THAN 3/4-INCH WIDE	325.00	L.F.
602100	DRAINAGE INLET GRATE(S)	2.00	EACH
602101	DRAINAGE INLET FRAME(S)	2.00	EACH
602130	ADJUSTING AND REPAIRING EXISTING DRAINAGE INLET	2.00	EACH
602132	ADJUSTING AND REPAIRING EXISTING MANHOLE	3.00	EACH
701018	I.PCC CURB AND GUTTER, TYPE 1-8	20.00	L.F.
705002	PCC SIDEWALK, 6"	12.00	S.F.
710002	ADJUST WATER VALVE BOXES	1.00	EACH
760010	PAVEMENT MILLING, BITUMINOUS CONCRETE PAVEMENT	4,580.00	SY-IN
762000	SAW CUTTING, BITUMINOUS CONCRETE	330.00	L.F.
762001	SAW CUTTING, CONCRETE, FULL DEPTH	2.00	L.F.
811001	FLAGGER, NEW CASTLE COUNTY	132.00	HOURL
811013	FLAGGER, NEW CASTLE COUNTY, OVERTIME	18.00	HOURL
905004	INLET SEDIMENT CONTROL, DRAINAGE INLET	2.00	EACH
908001	TOPSOIL	1.00	TON
908016	PERMANENT GRASS SEEDING, SUBDIVISION	5.00	S.Y.
908020	EROSION CONTROL BLANKET MULCH	5.00	S.Y.

DELAWARE DEPARTMENT OF TRANSPORTATION

CONTRACT T202604901

(CAD) PAGE 48 OF 55

CANAL

SUBDIVISION PAVING, NEW CASTLE COUNTY I, 2026

---

**LOCATION 17 PHILLIPS HEIGHTS - RODMAN ROAD FROM GRANDVIEW AVENUE TO RIVER ROAD**

LENGTH 381.0000 m 1250.0000 L.F.

**GENERAL IMPROVEMENTS**

2" MILL AND OVERLAY(CURB WHERE NECESSARY)

**COMMENTS:**

ESTIMATE INCLUDES INTERSECTION W/ GRANDVIEW

---

**MATERIAL ESTIMATE FOR LOCATION 17**

202000	EXCAVATION AND EMBANKMENT	7.00	C.Y.
401005	SUPERPAVE TYPE C, 9.5 mm, PG 64-22 (CARBONATE STONE)	440.00	TON
401029	SUPERPAVE TYPE C, 9.5 mm, PG 64-22, PATCHING	1.00	TON
401030	SUPERPAVE TYPE B, PG 64-22, PATCHING	30.00	TON
404001	BITUMINOUS CRACK AND JOINT SEALING LESS THAN 3/4-INCH WIDE	500.00	L.F.
602100	DRAINAGE INLET GRATE(S)	3.00	EACH
602101	DRAINAGE INLET FRAME(S)	3.00	EACH
602102	MANHOLE COVER(S)	1.00	EACH
602103	MANHOLE FRAME(S)	1.00	EACH
602130	ADJUSTING AND REPAIRING EXISTING DRAINAGE INLET	3.00	EACH
602132	ADJUSTING AND REPAIRING EXISTING MANHOLE	6.00	EACH
710002	ADJUST WATER VALVE BOXES	5.00	EACH
710370	STEEL CASING PIPE, 4"	10.00	L.F.
760010	PAVEMENT MILLING, BITUMINOUS CONCRETE PAVEMENT	6,940.00	SY-IN
762000	SAW CUTTING, BITUMINOUS CONCRETE	220.00	L.F.
762001	SAW CUTTING, CONCRETE, FULL DEPTH	20.00	L.F.
811001	FLAGGER, NEW CASTLE COUNTY	208.00	HOUR
811013	FLAGGER, NEW CASTLE COUNTY, OVERTIME	26.00	HOUR
905004	INLET SEDIMENT CONTROL, DRAINAGE INLET	3.00	EACH



**DELAWARE DEPARTMENT OF TRANSPORTATION**

**CONTRACT T202604901**

**(CAD) PAGE 50 OF 55**

**CANAL**

SUBDIVISION PAVING, NEW CASTLE COUNTY I, 2026

**LOCATION 19 WEBSTER FARMS - WEBSTER DRIVE FROM WINSTEAD ROAD TO IVY DRIVE**

LENGTH 316.9920 m 1040.0000 L.F.

**GENERAL IMPROVEMENTS**

2" MILL AND OVERLAY(CURB WHERE NECESSARY)

**COMMENTS:**

ESTIMATE INCLUDES INTERSECTIONS W/ WINSTEAD AND IVY

**MATERIAL ESTIMATE FOR LOCATION 19**

202000	EXCAVATION AND EMBANKMENT	30.00	C.Y.
211001	REMOVAL OF PORTLAND CEMENT CONCRETE PAVEMENT, CURB AND SIDEWALK	313.00	S.Y.
301001	GABC	22.00	C.Y.
301002	GABC, PATCHING	52.00	C.Y.
401005	SUPERPAVE TYPE C, 9.5 mm, PG 64-22 (CARBONATE STONE)	350.00	TON
401029	SUPERPAVE TYPE C, 9.5 mm, PG 64-22, PATCHING	175.00	TON
401030	SUPERPAVE TYPE B, PG 64-22, PATCHING	25.00	TON
404001	BITUMINOUS CRACK AND JOINT SEALING LESS THAN 3/4-INCH WIDE	350.00	L.F.
602100	DRAINAGE INLET GRATE(S)	8.00	EACH
602101	DRAINAGE INLET FRAME(S)	8.00	EACH
602130	ADJUSTING AND REPAIRING EXISTING DRAINAGE INLET	1.00	EACH
602131	ADJUSTING AND REPAIRING EXISTING DOUBLE DRAINAGE INLET	2.00	EACH
602132	ADJUSTING AND REPAIRING EXISTING MANHOLE	5.00	EACH
701019	I.PCC CURB AND GUTTER, TYPE 2	870.00	L.F.
705002	PCC SIDEWALK, 6"	522.00	S.F.
710002	ADJUST WATER VALVE BOXES	2.00	EACH
710370	STEEL CASING PIPE, 4"	55.00	L.F.
760010	PAVEMENT MILLING, BITUMINOUS CONCRETE PAVEMENT	5,540.00	SY-IN
762000	SAW CUTTING, BITUMINOUS CONCRETE	1,305.00	L.F.
762001	SAW CUTTING, CONCRETE, FULL DEPTH	131.00	L.F.
811001	FLAGGER, NEW CASTLE COUNTY	305.00	HOUR
811013	FLAGGER, NEW CASTLE COUNTY, OVERTIME	35.00	HOUR
905004	INLET SEDIMENT CONTROL, DRAINAGE INLET	5.00	EACH

DELAWARE DEPARTMENT OF TRANSPORTATION

CONTRACT T202604901

(CAD) PAGE 51 OF 55

CANAL

SUBDIVISION PAVING, NEW CASTLE COUNTY I, 2026

---

**LOCATION 19** WEBSTER FARMS - WEBSTER DRIVE FROM WINSTEAD ROAD TO IVY DRIVE

LENGTH 316.9920 m 1040.0000 L.F.

**GENERAL IMPROVEMENTS**

2" MILL AND OVERLAY(CURB WHERE NECESSARY)

**COMMENTS:**

ESTIMATE INCLUDES INTERSECTIONS W/ WINSTEAD AND IVY

---

**MATERIAL ESTIMATE FOR LOCATION 19**

908001	TOPSOIL	35.00	TON
908016	PERMANENT GRASS SEEDING, SUBDIVISION	209.00	S.Y.
908020	EROSION CONTROL BLANKET MULCH	209.00	S.Y.

**DELAWARE DEPARTMENT OF TRANSPORTATION**

**CONTRACT T202604901**

**(CAD) PAGE 52 OF 55**

**CANAL**

**SUBDIVISION PAVING, NEW CASTLE COUNTY I, 2026**

**LOCATION 20 WESTERLOO - SWINNEN DRIVE FROM VEALE ROAD TO END**

**LENGTH 274.3200 m 900.0000 L.F.**

**GENERAL IMPROVEMENTS**

**2" MILL AND OVERLAY(CURB WHERE NECESSARY)**

**COMMENTS:**

**MATERIAL ESTIMATE FOR LOCATION 20**

202000	EXCAVATION AND EMBANKMENT	21.00	C.Y.
211001	REMOVAL OF PORTLAND CEMENT CONCRETE PAVEMENT, CURB AND SIDEWALK	230.00	S.Y.
301001	GABC	16.00	C.Y.
301002	GABC, PATCHING	38.00	C.Y.
401005	SUPERPAVE TYPE C, 9.5 mm, PG 64-22 (CARBONATE STONE)	320.00	TON
401029	SUPERPAVE TYPE C, 9.5 mm, PG 64-22, PATCHING	129.00	TON
401030	SUPERPAVE TYPE B, PG 64-22, PATCHING	15.00	TON
404001	BITUMINOUS CRACK AND JOINT SEALING LESS THAN 3/4-INCH WIDE	180.00	L.F.
602130	ADJUSTING AND REPAIRING EXISTING DRAINAGE INLET	2.00	EACH
602132	ADJUSTING AND REPAIRING EXISTING MANHOLE	4.00	EACH
701019	I.PCC CURB AND GUTTER, TYPE 2	640.00	L.F.
705002	PCC SIDEWALK, 6"	384.00	S.F.
710370	STEEL CASING PIPE, 4"	15.00	L.F.
760010	PAVEMENT MILLING, BITUMINOUS CONCRETE PAVEMENT	4,040.00	SY-IN
760011	PAVEMENT MILLING, BITUMINOUS CONCRETE PAVEMENT, TAPER CUT	420.00	SY-IN
762000	SAW CUTTING, BITUMINOUS CONCRETE	960.00	L.F.
762001	SAW CUTTING, CONCRETE, FULL DEPTH	96.00	L.F.
802003	ARROW PANELS TYPE C	3.00	EA-DY
808002	PROVIDE AND MAINTAIN TRUCK MOUNTED ATTENUATOR, TYPE II	3.00	EA-DY
811001	FLAGGER, NEW CASTLE COUNTY	231.00	HOUR
811013	FLAGGER, NEW CASTLE COUNTY, OVERTIME	25.00	HOUR
905004	INLET SEDIMENT CONTROL, DRAINAGE INLET	2.00	EACH
908001	TOPSOIL	26.00	TON
908016	PERMANENT GRASS SEEDING, SUBDIVISION	154.00	S.Y.
908020	EROSION CONTROL BLANKET MULCH	154.00	S.Y.



---

DELAWARE DEPARTMENT OF TRANSPORTATION

CONTRACT T202604901

(CAD) PAGE 54 OF 55

CANAL

SUBDIVISION PAVING, NEW CASTLE COUNTY I, 2026

---

CONTRACT QUANTITIES SUMMARY SHEET

202000	EXCAVATION AND EMBANKMENT	523.00	C.Y.
211001	REMOVAL OF PORTLAND CEMENT CONCRETE PAVEMENT, CURB AND SIDEWALK	4,546.00	S.Y.
301001	GABC	331.00	C.Y.
301002	GABC, PATCHING	746.00	C.Y.
401005	SUPERPAVE TYPE C, 9.5 mm, PG 64-22 (CARBONATE STONE)	7,645.00	TON
401029	SUPERPAVE TYPE C, 9.5 mm, PG 64-22, PATCHING	2,516.00	TON
401030	SUPERPAVE TYPE B, PG 64-22, PATCHING	748.00	TON
401506	SPEED HUMP	236.00	L.F.
404001	BITUMINOUS CRACK AND JOINT SEALING LESS THAN 3/4-INCH WIDE	6,731.00	L.F.
602100	DRAINAGE INLET GRATE(S)	18.00	EACH
602101	DRAINAGE INLET FRAME(S)	18.00	EACH
602102	MANHOLE COVER(S)	5.00	EACH
602103	MANHOLE FRAME(S)	5.00	EACH
602130	ADJUSTING AND REPAIRING EXISTING DRAINAGE INLET	60.00	EACH
602131	ADJUSTING AND REPAIRING EXISTING DOUBLE DRAINAGE INLET	5.00	EACH
602132	ADJUSTING AND REPAIRING EXISTING MANHOLE	71.00	EACH
701013	PCC CURB, TYPE 1-8	273.00	L.F.
701018	I.PCC CURB AND GUTTER, TYPE 1-8	20.00	L.F.
701019	I.PCC CURB AND GUTTER, TYPE 2	12,000.00	L.F.
701023	I.PCC CURB AND GUTTER, TYPE 3-8	20.00	L.F.
701513	PORTLAND CEMENT CONCRETE VALLEY GUTTER, 8"	156.00	S.Y.
705001	PCC SIDEWALK, 4"	2,100.00	S.F.
705002	PCC SIDEWALK, 6"	7,224.00	S.F.
705008	PEDESTRIAN CONNECTION, TYPE 1	840.00	S.F.
705009	PEDESTRIAN CONNECTION, TYPE 2, 3, AND/OR 4	8,400.00	S.F.
705013	TRUNCATED DOME DETECTABLE WARNING SURFACE	420.00	S.F.
710002	ADJUST WATER VALVE BOXES	44.00	EACH
710370	STEEL CASING PIPE, 4"	392.00	L.F.

---

DELAWARE DEPARTMENT OF TRANSPORTATION

CONTRACT T202604901

(CAD) PAGE 55 OF 55

CANAL

SUBDIVISION PAVING, NEW CASTLE COUNTY I, 2026

---

CONTRACT QUANTITIES SUMMARY SHEET

760010	PAVEMENT MILLING, BITUMINOUS CONCRETE PAVEMENT	121,060.00	SY-IN
760011	PAVEMENT MILLING, BITUMINOUS CONCRETE PAVEMENT, TAPER CUT	900.00	SY-IN
762000	SAW CUTTING, BITUMINOUS CONCRETE	19,721.00	L.F.
762001	SAW CUTTING, CONCRETE, FULL DEPTH	1,932.00	L.F.
763000	INITIAL EXPENSE/DE-MOBILIZATION	LUMP	SUM
801500	MAINTENANCE OF TRAFFIC, REHABILITATION	LUMP	SUM
802003	ARROW PANELS TYPE C	18.00	EA-DY
808002	PROVIDE AND MAINTAIN TRUCK MOUNTED ATTENUATOR, TYPE II	18.00	EA-DY
811001	FLAGGER, NEW CASTLE COUNTY	6,097.00	HOURL
811013	FLAGGER, NEW CASTLE COUNTY, OVERTIME	673.00	HOURL
819003	INSTALL OR REMOVE TRAFFIC SIGNS	1.00	EACH
846001	PROVIDE AND INSTALL LOOP WIRE 1-CONDUCTOR #14 AWG ENCASED IN 1/4" FLEXIBLE TUBING IN A LOOP SAWCUT	345.00	L.F.
860004	TEMPORARY MARKINGS, LATEX, 4"	300.00	L.F.
860007	TEMPORARY PAVEMENT STRIPING, LATEX, SYMBOL/LEGEND	213.00	S.F.
861001	PERMANENT PAVEMENT STRIPING, EPOXY RESIN PAINT, 6"	300.00	L.F.
862006	PERMANENT PAVEMENT STRIPING, ALKYD-THERMOPLASTIC, SYMBOL/LEGEND	213.00	S.F.
905004	INLET SEDIMENT CONTROL, DRAINAGE INLET	70.00	EACH
908001	TOPSOIL	672.00	TON
908016	PERMANENT GRASS SEEDING, SUBDIVISION	4,024.00	S.Y.
908020	EROSION CONTROL BLANKET MULCH	4,024.00	S.Y.